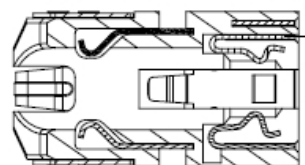


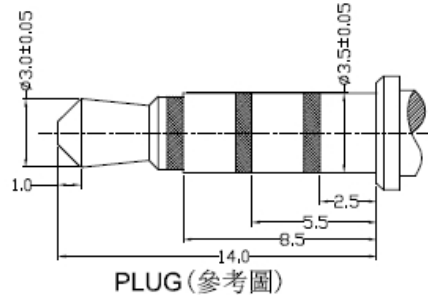
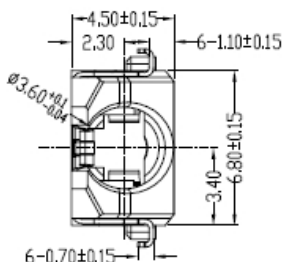
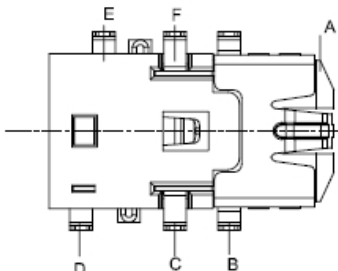
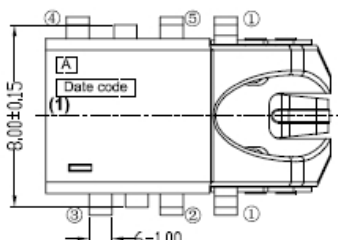
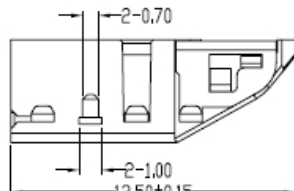
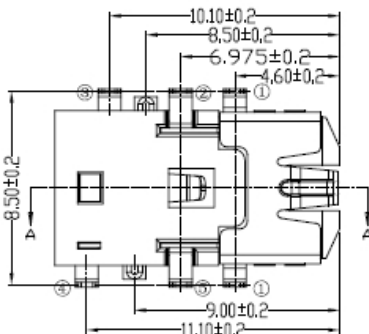
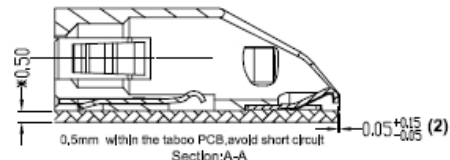
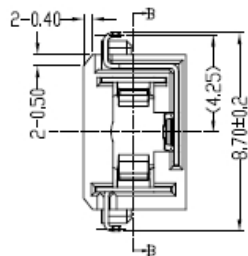


3D VIEW

See notes	
Plating gold spec	Part No.
Gold flash	EJ-3681-51-GP
Gold flash&TI(pln1)	EJ-3681-GP
Gold 3u"	EJ-3681-53-GP
Gold 3u"&TI(pln1)	EJ-3681-T53-GP
Gold 5u"	EJ-3681-55-GP
Gold 5u"&TI(pln1)	EJ-3681-T55-GP
.....



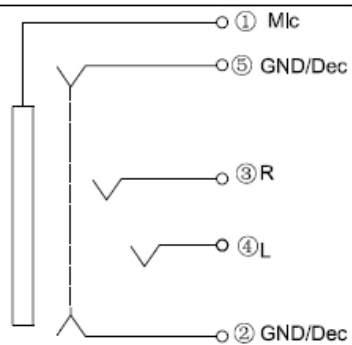
Section:B-B



PLUG (參考圖)

變更履歷表			
Rev	Content	Date	Drawn By
B	修改D/C位置	2012/12/25	J.W.Liang
C	增加產品標注	2013/05/02	J.W.Liang
D	修改D/C標識	2014/01/21	J.W.Liang

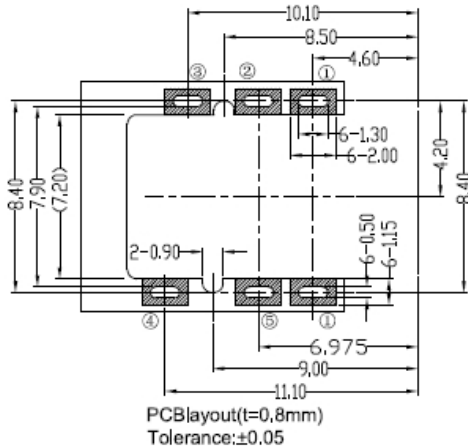
SCHEMATIC



Date code

Notes:
 1.Date code:SWYYMMDD
 2.SW:Logo
 2.YY:Year(13-)
 MM:Month(01-12)
 DD:Day(01-31)
 [A] :Cavity number: (A-P)

符合環保要求
 無鉛 無汞
 RoHS Halogen



PCB layout(t=0,8mm)
Tolerance:±0.05

SING	DESCRIPTION	QTY	PLATING
H	TERMINAL	1	Stainless Steel
F	TERMINAL 5	1	PHOSPHOR BRONZE t=0,2mm
E	TERMINAL 4	1	PHOSPHOR BRONZE t=0,2mm
D	TERMINAL 3	1	PHOSPHOR BRONZE t=0,2mm
C	TERMINAL 2	1	PHOSPHOR BRONZE t=0,2mm
B	TERMINAL 1	1	PHOSPHOR BRONZE t=0,2mm
A	HOUSING	1	HTNFR52 (Black)

星赫科技有限公司
SHINE HEH TECHNOLOGY CO., LTD.

DRAWN BY:	REVIEWED BY:	CHECKED BY:	APPROVED BY:
J.W.Liang	X.H.Liu	Sunny	Joe

TOLERANCE CHART:	VIEW:	UNIT:	SCALE:
x. ±0.3mm		mm	1 : 1
x.x ±0.2mm	PART NAME:	DATE:	REV:
x.xx ±0.1mm	PHONE JACK	2014/01/21	D
x.xxx ±0.05mm	MODEL NO.:	DRAWING NO.:	
	EJ-3681-51-GP		