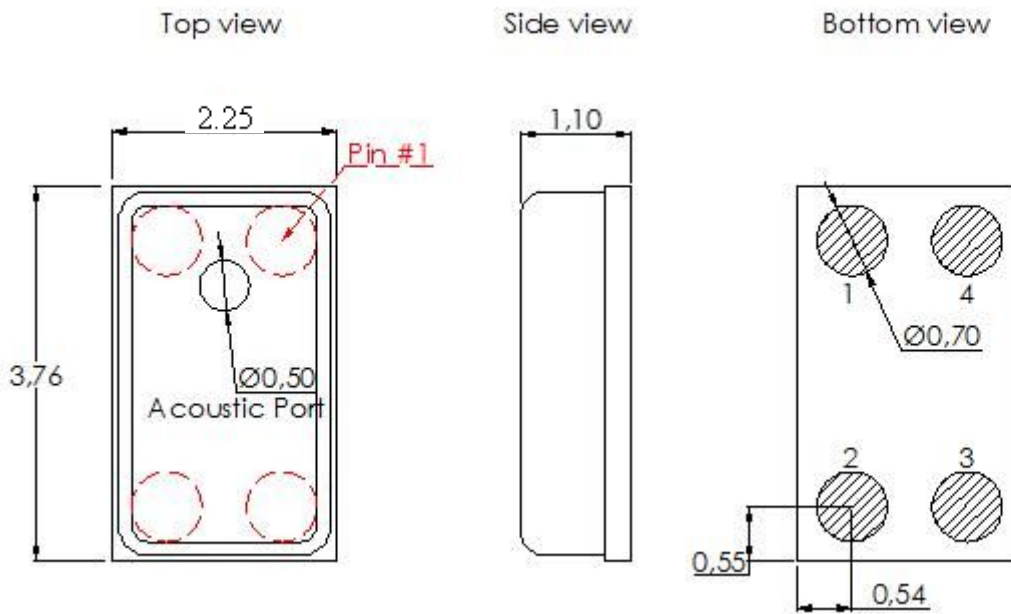


- **Outline drawing and PIN definition:**



Note: Dimensions are in millimeters unless otherwise specified.

PIN Output	
PIN#	Function
1	VDD
2	GND
3	GND
4	OUT

- **Board Wash:**

When washing the PCB, ensure that water does not make contact with the microphone port. Blow-off above the microphone port and ultrasonic cleaning must not be used