

规格书 (SPECIFICATION)

发行日期 (ISSUED DATE)

2012-12-13

产品型号

MODEL NO.

FSP01511E002

P6/7

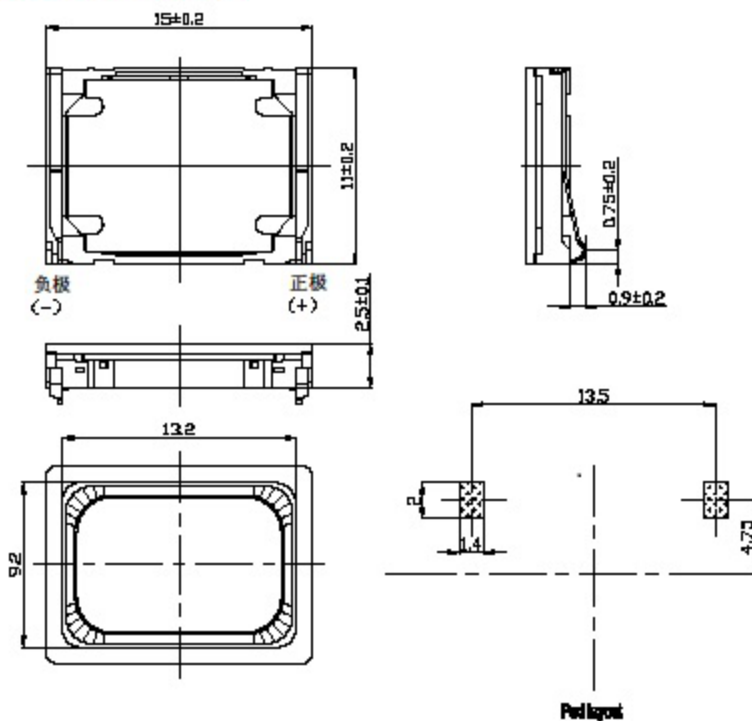
版本 (VERSION)

2011A

更新 (UPDATE)

00

5. 尺寸规格 (DIMENSIONS)



ITEM	DESCRIPTIONS	SPEC.	SUPPLIER	QTY	REMARK
1	Membrane	PEEK	YUESHENG	1	
2	Voice coil	Che	XIEYIN	1	
3	Plate	08F	JIARI	1	
4	magnet	NbFeB	SHENJIA	1	
5	Frame	PPA	JIARI	1	
6	Cover	PPA	JIARI		

编号 NO	日期 DATE	变更前 BEFORE	变更后 AFTER	变更原因	签名 SIGNATURE
				REASON OF CHANGE	
1					
2					
3					