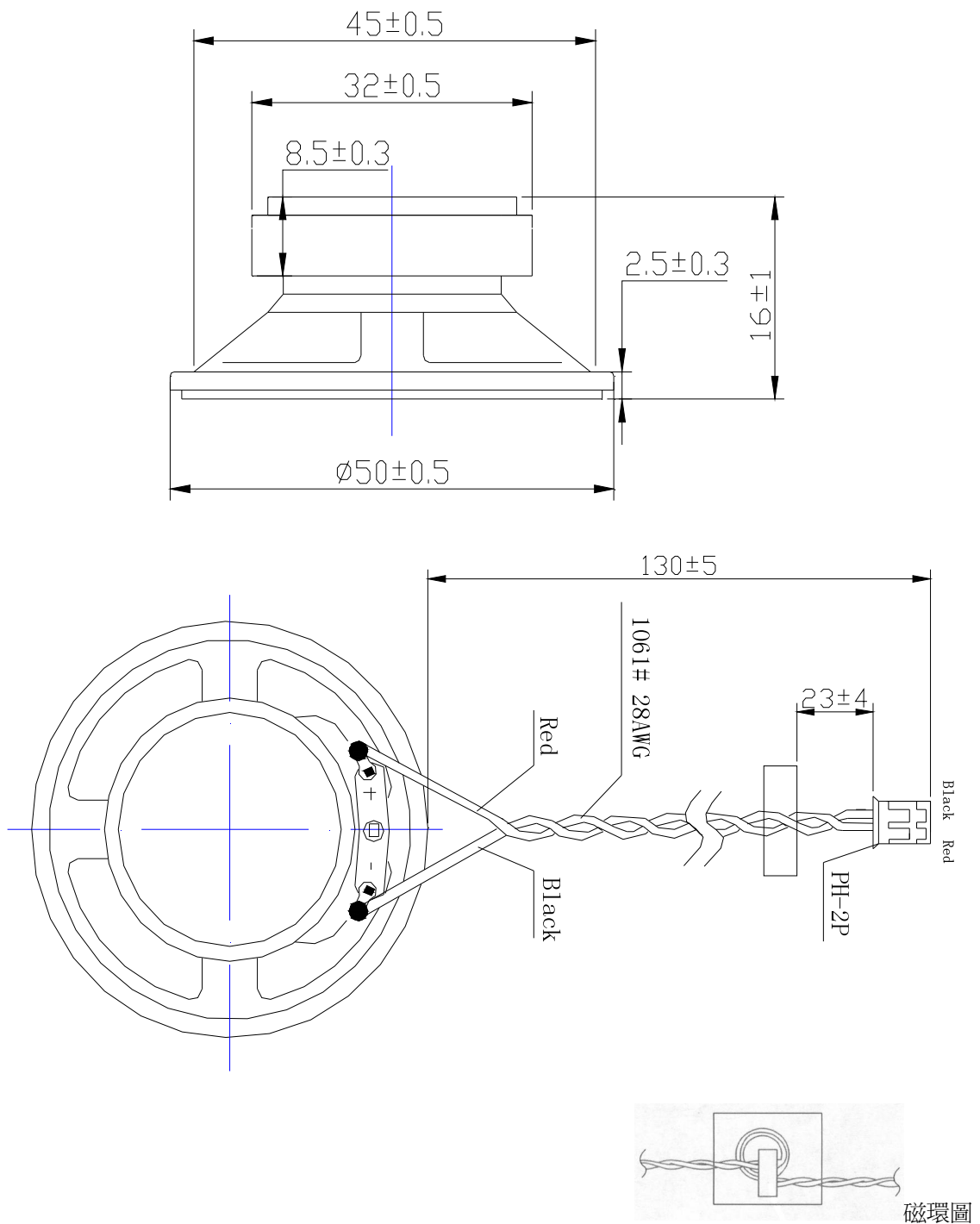


1. Product Outline		
1-1	Scope	This specification is applied for Micro speaker.
1-2	Dimension	As shown in fig(1).
1-3	Net Weight	Approx. 50g±5%
2. Electrical and Acoustical Characteristics		
2-1	Test Set Up	Input Voltag:2V sine wave measuring at 0.5M
2-2	Nominal Impedance	8Ω±15%/1000HZ/1.0V
2-3	Resonant Frequency	500Hz±20%/1.0V
2-4	Sound pressure Level	85+/-3 dB/0.5m/0.5W at800Hz、1000Hz、1200Hz、1500Hz
2-5	Frequency Response	F0~5Khz, As shown in fig(2).
2-6	Input Power(Nom. /Max)	0.5W/1.0W
2-7	Audible Noise	Must not be audible noise(buzzes and rattles) At 2V sine wave between 450Hz~5000Hz
2-8	Polarity	When a positive DC current is applied to the voice terminal marked +, the diaphragm shall move forward.
3. Reliable Test		
3-1	Load Test	Must be normal after load test:White noise 0.5W/96hrs
3-2	High Resistance	+60±2°C/20~25% 48hrs & 20±5°C 1 hr inside inspect
3-3	Cold Resistance	-25±2°C/ 16 hrs & 20±5°C 4 hr after inspect
3-4	Humidity Resistance	+40±2°C/90~95%RH/48hrs & 20±5°C 24 hr after inspect
3-5	Insulation Resistance	≥1.0MΩ/DC.100V
Test result of 3-1~3-5 should be satisfy 2-2~2-7		

5. CHART FOR PRODUCT APPEARANCE: Dimensions Unit: mm±0.2
(Fig.1)



Connector: 2P*2.0mm Lead Wire: 1061 AWG28 L: 130±5mm