

RoHS Compliant

NOTE:

- Material:
 - Housing: Thermoplastics, UL94V-0; (PBT, BLACK)
 - CAP: Thermoplastics, UL94V-0; (LCP, BLACK)
 - Contact: Copper Alloy
 - Hook: Stainless Steel
 - Shell: Stainless Steel
- Finish:
 - Contact: Au 30u" Plated on Contact Area, 80u" Min. Tin Plated on Solder Tail Area, 50u" Min. Nickel Underplating Over All.
 - Shell: 50u" Min. Nickel Underplating Over All.

3. Specification:

- 3.1: Electrical:
 - Insulation Resistance(EIA-364-21): 100MΩ Min. at 500V/DC for 1Minute.
 - Contact Resistance(EIA-364-06): 30 mΩ Max.
 - Dielectric Withstanding Voltage(EIA-364-20): No discharge, flashover or breakdown at 100V/AC 1Minute
4. MARK "XX" "DIM. Must Controlled by FAI Mark" ■ "DIM. Must Controlled by QIP
5. Ordering Information

Micro USB SERIES: MUB BM SD - 071

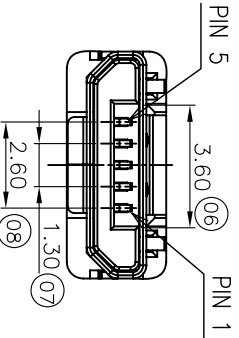
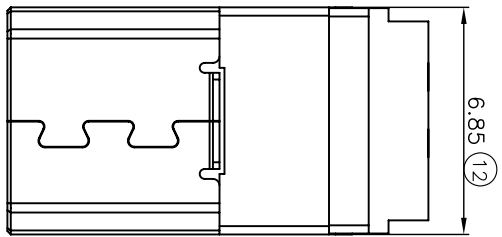
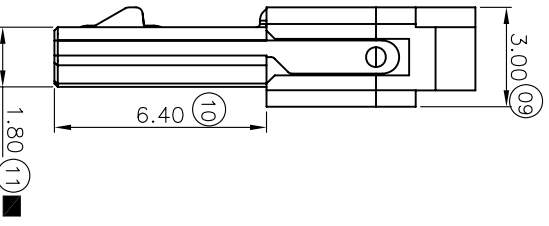
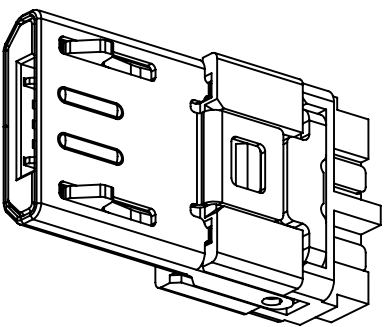
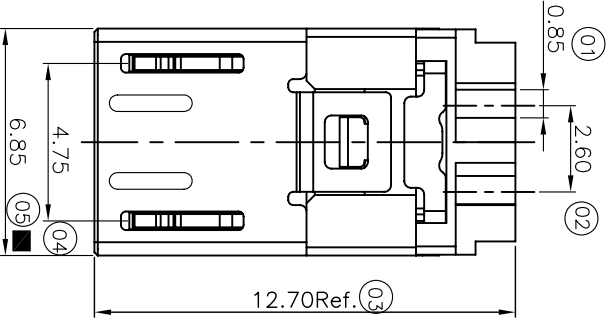
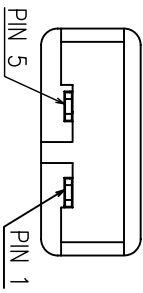
CONNECTOR TYPE: B TYPE MALE

CONNECTOR STYLE: SOLDER TYPE

FOLLOW NUMBER

Pin Assignment

CONTACT NUMBER	SIGNAL NAME
PIN 1	D-
PIN 2	Short Circuit
PIN 3	
PIN 4	
PIN 5	D+



版本 Rev.	NEW ISSUE	日期 DATE	修改 DISM	核准 APPROVE
A0	設備內容 MODIFICATION	11.11.11		

單位 UNIT	比例 SCALE	張數 SHEET	製圖 DRAWN	審核 CHECKED	圖號 TITLE	圖號 PROJ.
MM	1:1	1*1	Zwj		MUB BM SD-071	Micro USB B Type Male(前五后二)
TOLERANCE UNLESS OTHERWISE SPECIFIED						
XX±0.25	X±.3	X±.1				
XXX±0.15	XX±					

客户图