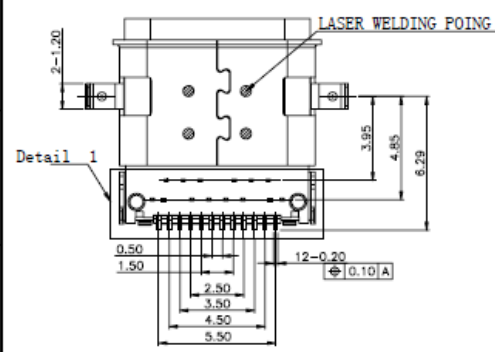
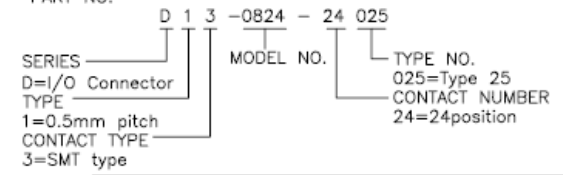


SPECIFICATION
 1.MATERIAL:
 MOLDING: LCP UL94 V-0
 CONTACT: COPPER ALLOY.
 GOLD PLATED ON CONTACT AREA, 100u"
 Min TIN (LEAD FREE) ON SOLDER AREA,
 SHELL: SUS304-H,T=0.30±0.03mm
 50u" NICKEL PLATING OVER ALL.
 SHILD: SUS304-H,T=0.12±0.03mm
 2.STANDARD DATA
 2.1 Rating current: 5.0A for VBUS
 0.25A MIN FOR OTHER.
 VOLTAGE: 5VAC MAX
 3.ELECTRICAL
 3.1. Insulator resistance: 100M ohms Min.
 3.2. Withstanding voltage: 100 VAC / minute
 3.3. Contact resistance: initial 40mohms Max.
 after 50mohms Max.

4.MECHANICAL
 4.1. Mating force: 5~20N
 4.2. Unmating force : Initial 8~20N
 After 1000cycles 6~20N
 4.3. Durability: 10000 cycles Min.
 PART NO.

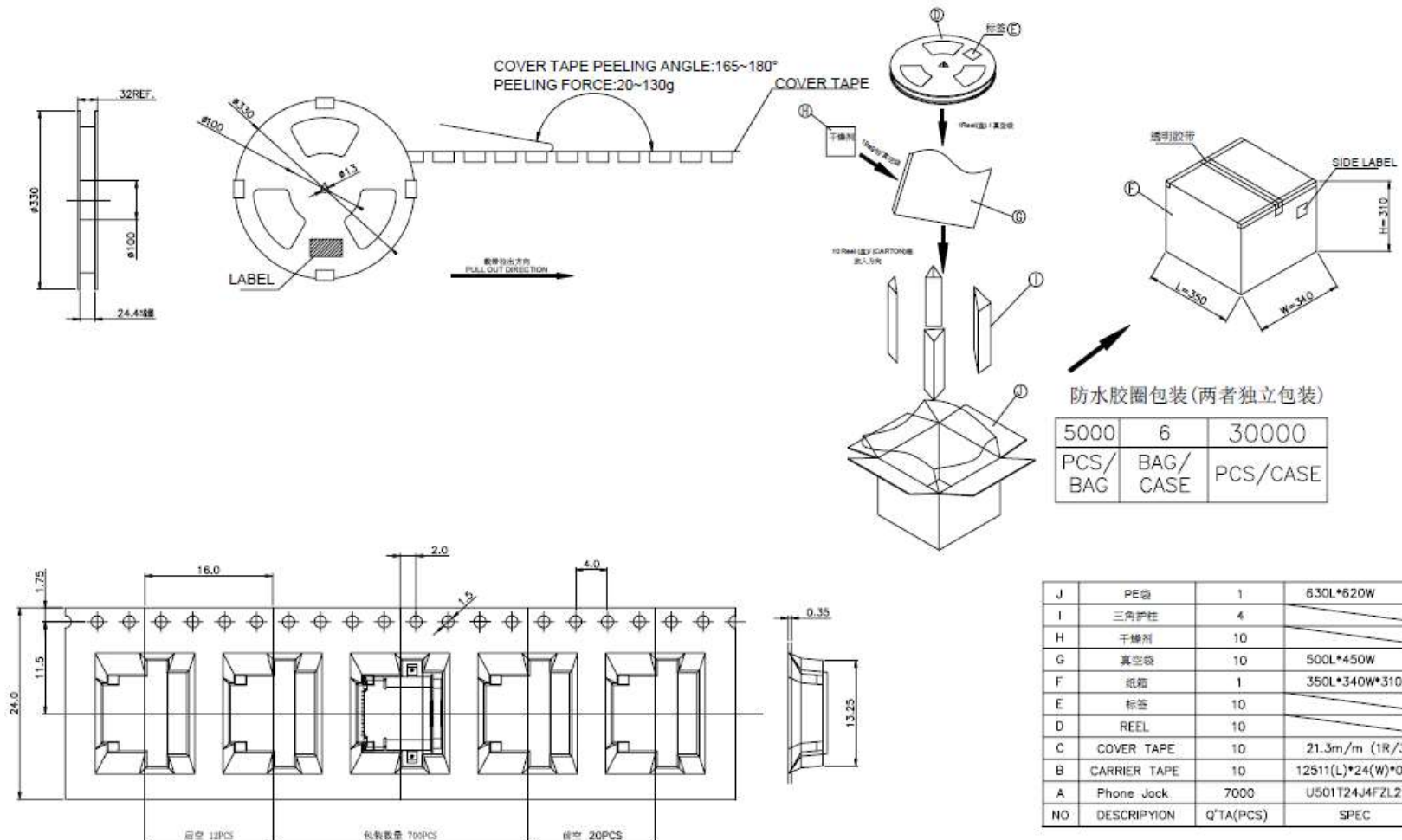


USB TYPE-C FULL-FEATURED RECEPTACLE
 INTERFACE PIN ASSIGNMENTS

PIN	Signal Name	Description	PIN	Signal Name	Description
A1	GND	Ground return	B12	GND	Ground return
A2	SSTXp1	Positive half of first SuperSpeed TX differential pair	B11	SSRXp1	Negative half of first SuperSpeed RX differential pair
A3	SSTXn1	Negative half of first SuperSpeed TX differential pair	B10	SSRXn1	Positive half of first SuperSpeed RX differential pair
A4	VBUS	Bus Power	B9	VBUS	Bus Power
A5	CC1	Configuration Channel	B8	SBU2	Sideband Use (SBU)
A6	Dp1	Positive half of the USB 2.0 differential pair-Position 1	B7	Dn2	Negative half of the USB 2.0 differential pair-Position 2
A7	Dn1	Negative half of the USB 2.0 differential pair-Position 1	B6	Dp2	Positive half of the USB 2.0 differential pair-Position 2
A8	SBU1	Sideband Use (SBU)	B5	CC2	Configuration Channel
A9	VBUS	Bus Power	B4	VBUS	Bus Power
A10	SSRXn2	Negative half of second SuperSpeed RX differential pair	B3	SSTXn2	Positive half of second SuperSpeed TX differential pair
A11	SSRXp2	Positive half of second SuperSpeed RX differential pair	B2	SSTXp2	Negative half of second SuperSpeed TX differential pair
A12	GND	Ground return	B1	GND	Ground return

RoHS Compliant
 SHINE HEH TECHNOLOGY CO., LTD.

REV. 版本	ECN NO. 规格號碼	MARK 記號	REVISIONS 规格內容	SIGN 修改	DATE 日期	UNLESS OTHERWISE SPECIFIED TOLERANCE 尺寸公差 X. ±0.50 .X ±0.30 .XX ±0.20 ANG. ±5'00"	CHECKED 審核	DESIGNED 設計 Zhijun 2018/7/2	TITLE 產品名稱 USB TYPE 沉板双外壳DIP+SMT母座带防水	UNIT 單位 MM	PART NO. 產品料號 D13-0824-24025	REV. 版本 A
A	E1807-016	X 0		Zhijun	2018/7/27		APPROVED 承認	DRAWN 製圖 Zhijun 2018/7/2	SCALE 比例 1/1	DOC. NO. 文件編號 CUT-0824-030		



5000	6	30000
PCS/ BAG	BAG/ CASE	PCS/ CASE

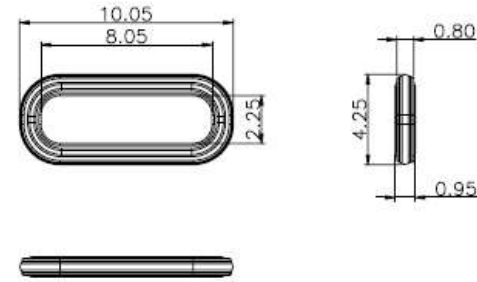
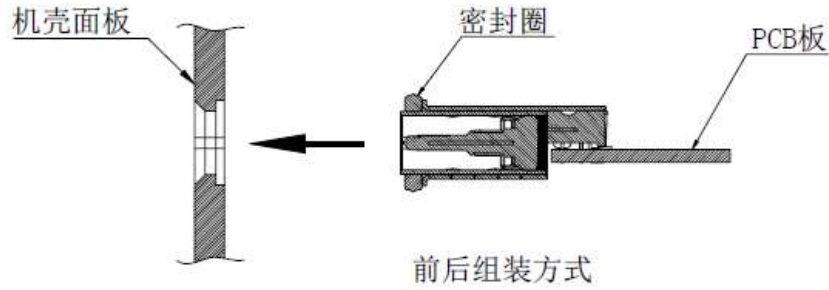
J	PE袋	1	630L*620W
I	三角护柱	4	
H	干燥剂	10	
G	真空袋	10	500L*450W
F	纸箱	1	350L*340W*310H
E	标签	10	
D	REEL	10	
C	COVER TAPE	10	21.3m/m (1R/300M)
B	CARRIER TAPE	10	12511(L)*24(W)*0.4(T)
A	Phone Jack	7000	U501T24J4ZL2
NO	DESCRIPTION	Q'TA(PCS)	SPEC



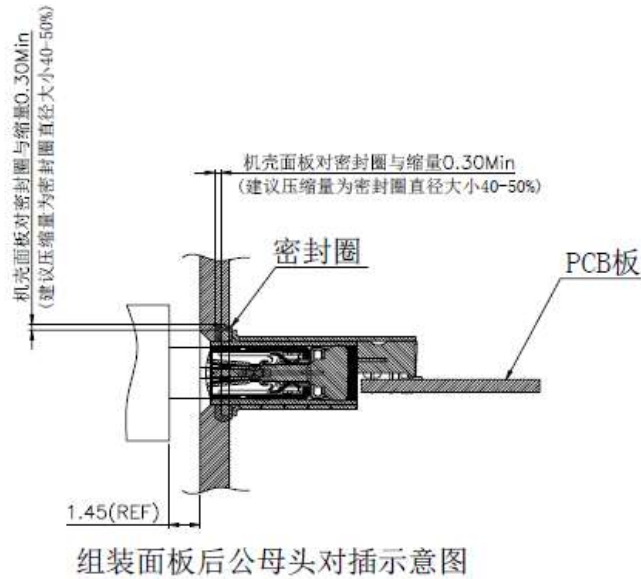
星赫科技有限公司
SHINE HEI TECHNOLOGY CO., LTD.

A		E1807-016		X 0		-		Zhijun		2018/7/27		UNLESS OTHERWISE SPECIFIED TOLERANCE 尺寸公差 X. ±0.50 .X ±0.30 .XX ±0.20 ANG. ±5°00'		CHECKED 審核		DESIGNED 設計 Zhijun 2018/7/2		TITLE 產品名稱 USB TYPE 沉板双外壳DIP+SMT母座帶防水 2/3	
REV. 版本	ECN NO. 設變號碼	MARK 記號	REVISIONS 設變內容		SIGN 簽改	DATE 日期	APPROVED 承認		DRAWN 製圖 Zhijun 2018/7/2		UNIT 單位	SCALE 比例	PART NO. 產品料號	DOC. NO. 文件編號	REV. 版本	A			

建议密封方式



建议防水圈规格（材质硅橡胶）



星赫科技有限公司
SHINE HEH TECHNOLOGY CO., LTD

UNLESS OTHERWISE SPECIFIED TOLERANCE 尺寸公差		CHECKED 審核	DESIGNED 設計 Zhijun 2018/7/2	TITLE 產品名稱 USB TYPE 母座防水膠圈	REV. 版本 3/3
X. ±0.50		APPROVED 承認	DRAWN 製圖 Zhijun 2018/7/2	PART NO. 產品料號 M28-0824-90001	A
.X ±0.30			SCALE 比例 1/1	DOC. NO. 文件編號 CUT-0824-030	
.XX ±0.20			SIZE 尺寸 A4		
ANG. ±5°00'					
REV. 版本	ECN NO. 變更號碼	MARK 記號	REVISIONS 變更內容	SIGN 修改	DATE 日期
A	E1807-016	△ X 0	-	Zhijun	2018/7/27