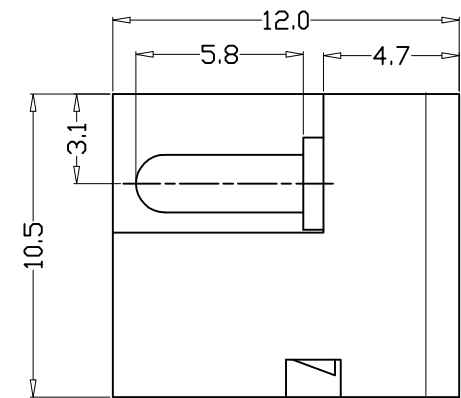
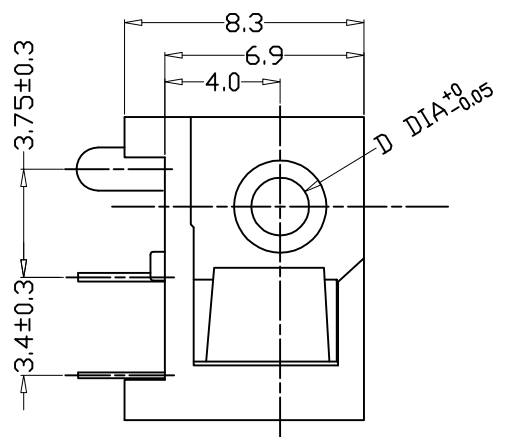
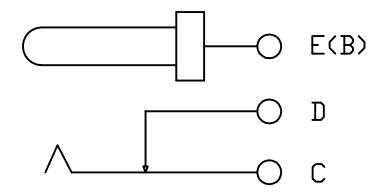
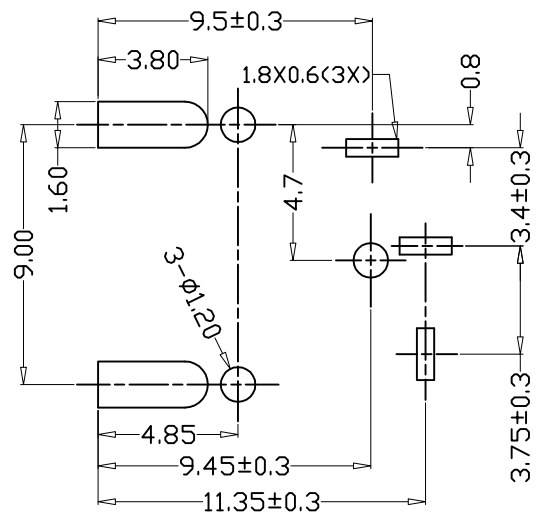


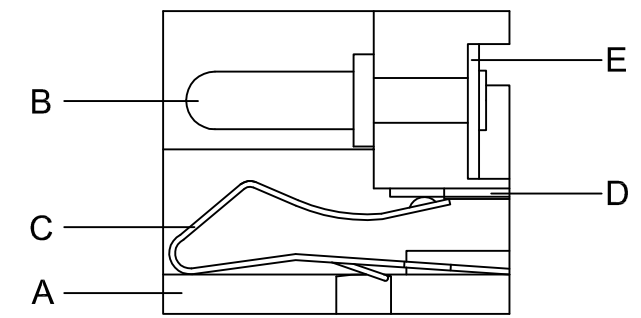
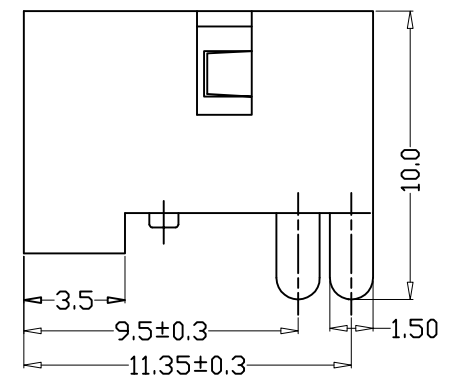
SCHEMATIC



Part N.o	DC-004-GP	DC-004-25-GP
DIA	Ø2.0	Ø2.5



PCB LAYOUT



E	PIN TERMINAL	1	BRASS	SILVER
D	BREAK TERMINAL	1	BRASS	SILVER
C	SLEEVE TERMINAL	1	ALLOY SPRING	SILVER
B	PIN	1	BRASS BAR	NICKEL
A	HOUSING	1	ABS	BLACK
SING	DESCRIPTION	QT'Y	MATERIAL	PLATING

SHINE HEH 星赫科技有限公司
SHINE HEH TECHNOLOGY CO., LTD.

DRAWN BY: Sunny-Lee REVIEWED BY: Andy-Chen CHECKED BY: Joe-Lee APPROVED BY: Joe-Lee

TOLERANCE CHART:	VIEW:	UNIT:	SCALE:
x. ±0.3mm	⊕	mm	4:1
x.x ±0.2mm			
x.xx ±0.1mm	PART NAME:	DATE:	REV:
x.xxx ±0.05mm	DC JACK	NOV.12.2005	A
	MODEL NO.:		DRAWING NO.:
	DC-004-GP		