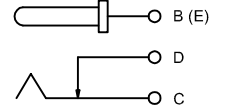
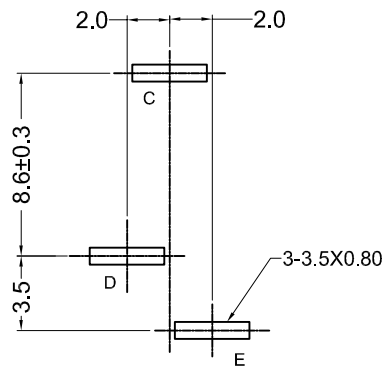
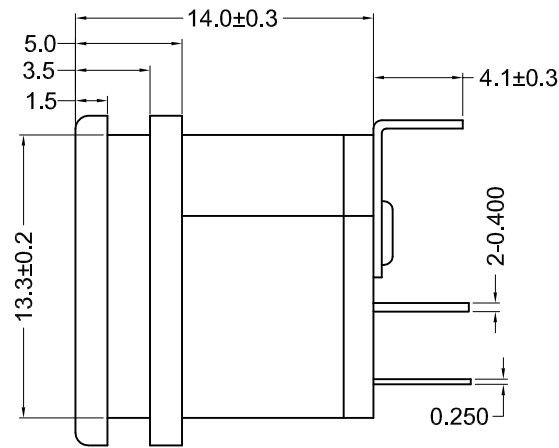
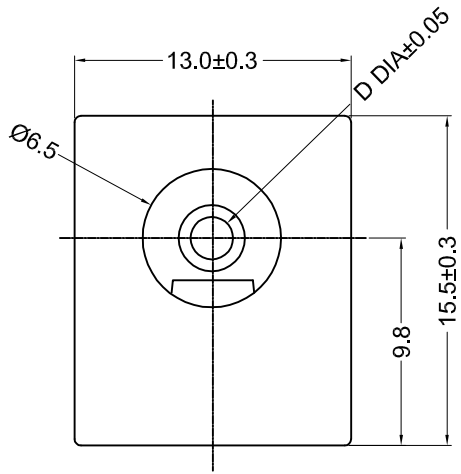


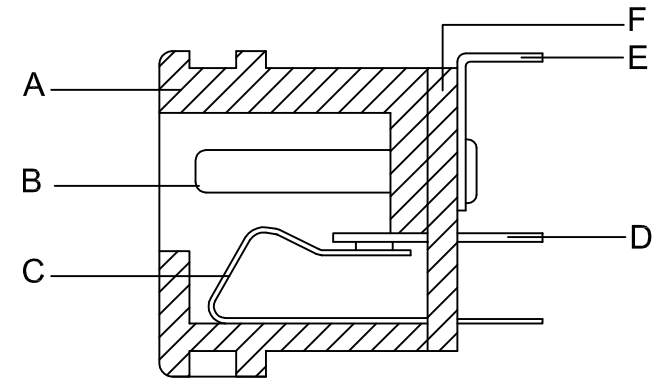
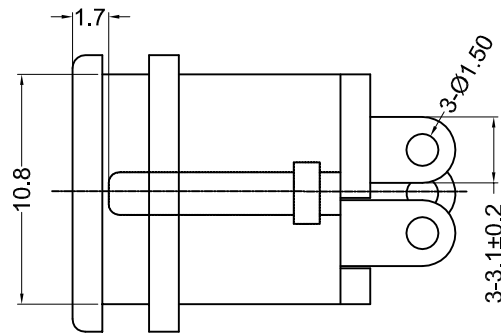
SCHEMATIC



DIA	MODEL NO
Ø2.0	DC-207-20-GP
Ø2.5	DC-207-03-GP
Ø1.65	DC-207-16-GP
Ø1.8	DC-207-04-GP



PCB LAYOUT



E	COVER	1	PBT+G.F	BLACK
F	TERMINAL 3	1	BRASS	SILVER
D	TERMINAL 2	1	BRASS	SILVER
C	TERMINAL 1	1	PHOSPHOR BRONZE	SILVER
B	PIN	1	BRASS BAR	NICKEL
A	HOUSING	1	PBT +G.F	BLACK
SING	DESCRIPTION	QT'Y	MATERIAL	PLATING



DRAWN BY:	REVIEWED BY:	CHECKED BY:	APPROVED BY:
J.W-Liang	X.H-Liu	Sunny	Joe

TOLERANCE CHART:	VIEW:	UNIT:	SCALE:
x. ±0.3mm	⊙	mm	2.5:1
x.x ±0.2mm	PART NAME:	DATE:	REV:
x.xx ±0.1mm	DC JACK	AUG.01.2014	A
x.xxx ±0.05mm	MODEL NO.:	DRAWING NO.:	
DC-207-XX-GP			