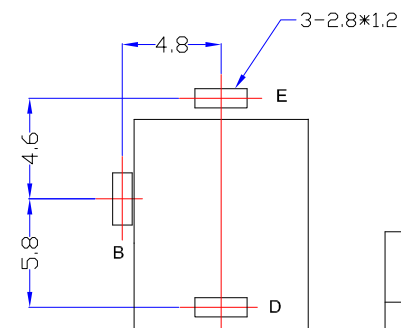
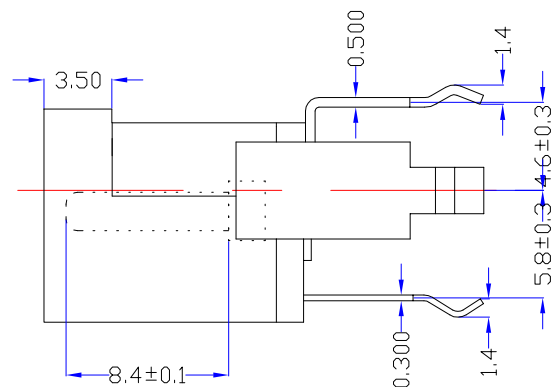
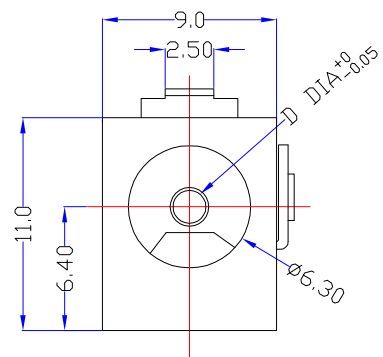
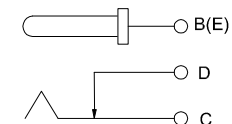


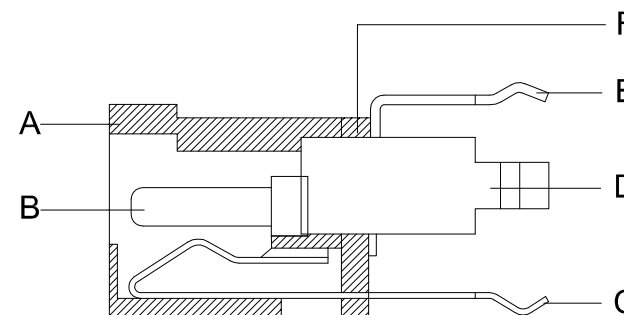
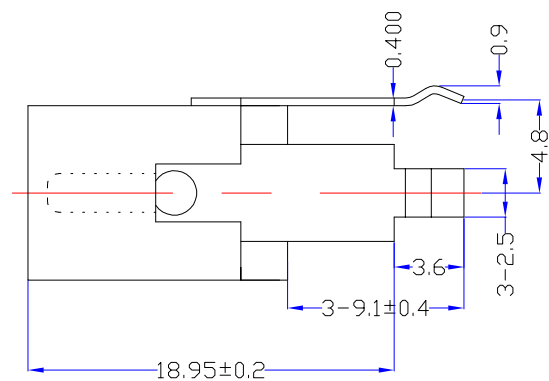
SCHEMATIC



PCB LAYOUT
BOTTOM VIEW

Part N.o	DC-470A-15-GP	DC-470A-GP	DC-470A-25-GP
DIA	Ø1.45	Ø2.0	Ø2.47

符合環保要求
 環保標章 (P.H.H.)



F	COVER	1	NYLON	YELLOW
E	TERMINAL 3	1	BRASS	SILVER
D	TERMINAL 2	1	BRASS	SILVER
C	TERMINAL 1	1	PHOSPHOR BRONZE	SILVER
B	PIN	1	BRASS BAR	NICKEL
A	HOUSING	1	PBT	BLACK
SING	DESCRIPTION	QT'Y	MATERIAL	PLATING



DRAWN BY: *J.W-Liang*
 REVIEWED BY: *X.H-Liu*
 CHECKED BY: *Sunny*
 APPROVED BY: *Joe*

TOLERANCE CHART:	VIEW:	UNIT:	SCALE:
x. ±0.3mm		mm	3:1
x.x ±0.2mm	PART NAME:	DATE:	REV:
x.xx ±0.1mm	DC JACK	NOV.19.2005	B
x.xxx ±0.05mm	MODEL NO.:	DRAWING NO.:	
DC-470A-GP			