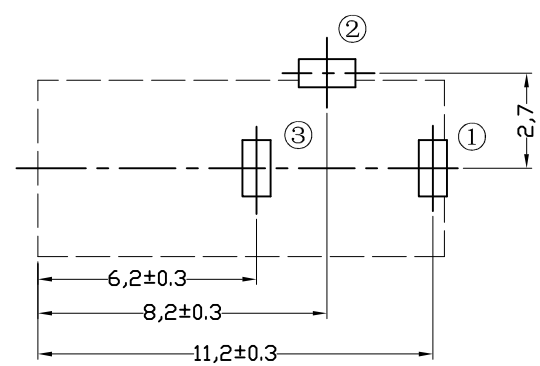
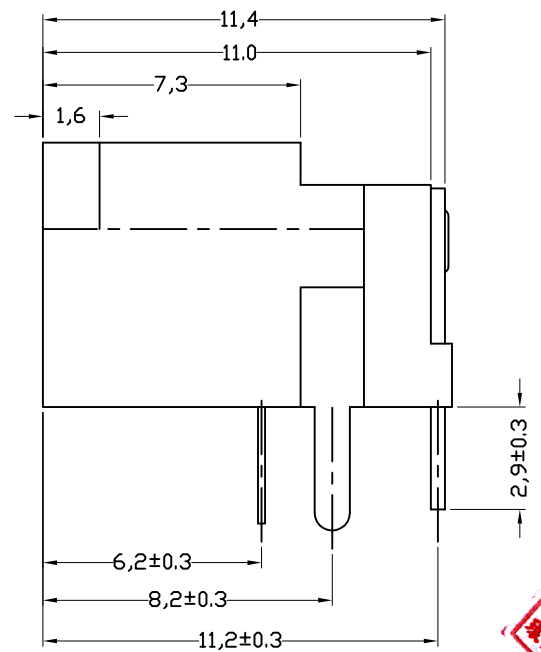
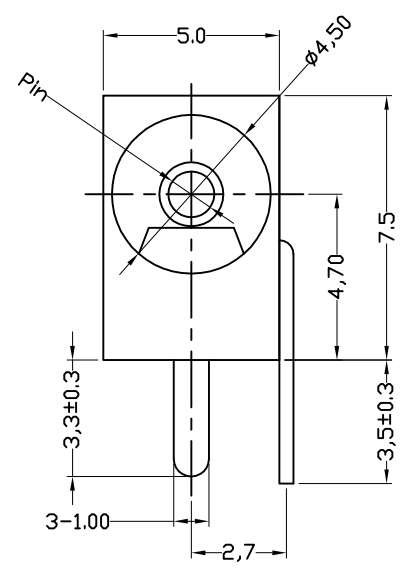
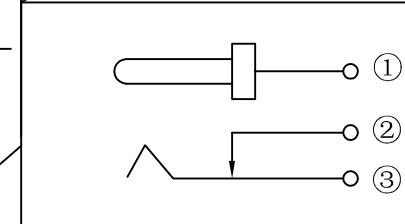
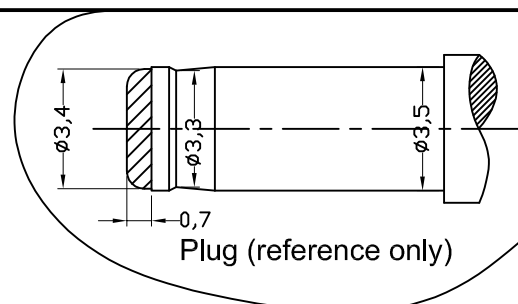
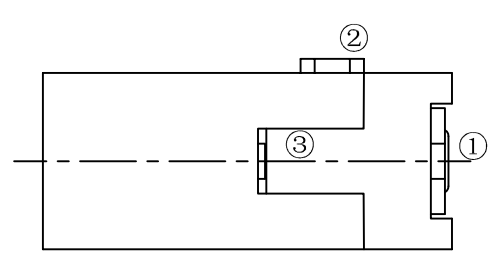


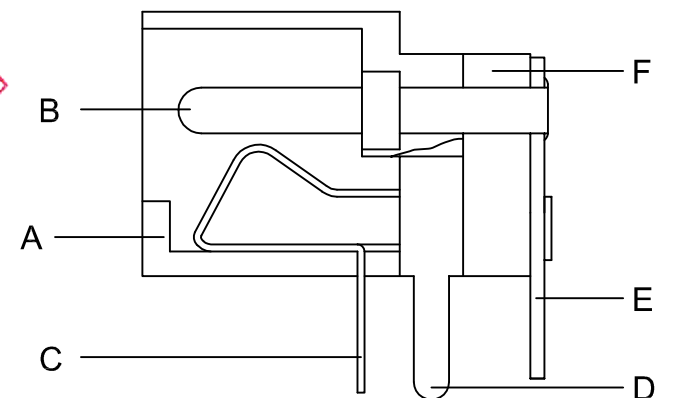
M2 SCHEMATIC



PCB Layout Bottom View



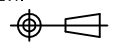
Pin	DC-480-GP	DC-480-13-GP
APPD	Ø 1.0	Ø 1.3



F	BASE	1	NYLON+G (BLACK)	
E	PIN TERMINAL	1	BRASS	SILVER
D	BREAK TERMINAL	1	BRASS	SILVER
C	SLEEVE TERMINAL	1	SUS	SILVER
B	PIN	1	BRASS BAR	NICKEL
A	HOUSING	1	PBT+G.F	BLACK
SING	DESCRIPTION	QTY	MATERIAL	PLATING


星赫科技有限公司
 SHINE HEH TECHNOLOGY CO., LTD.

DRAWN BY: J.W-Liang
 REVIEWED BY: X.H-Liu
 CHECKED BY: Sunny
 APPROVED BY: Joe

TOLERANCE CHART:	VIEW:	UNIT:	SCALE:
x. ±0.3mm		mm	5:1
x.x ±0.2mm	PART NAME:	DATE:	REV:
x.xx ±0.1mm	DC JACK	JUN.21.2005	A
x.xxx ±0.05mm	MODEL NO.:	DRAWING NO.:	
DC-480-GP			