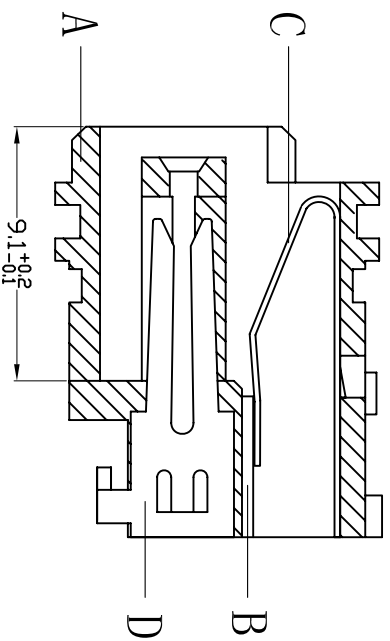
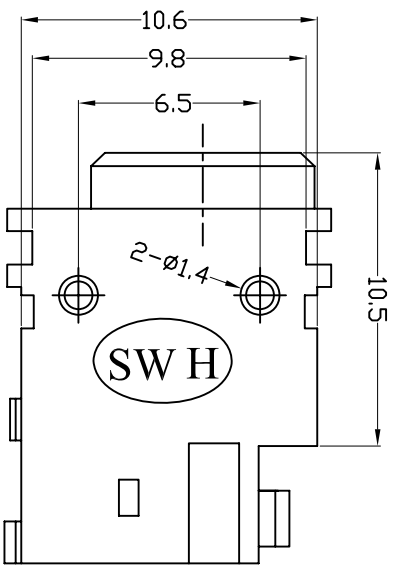
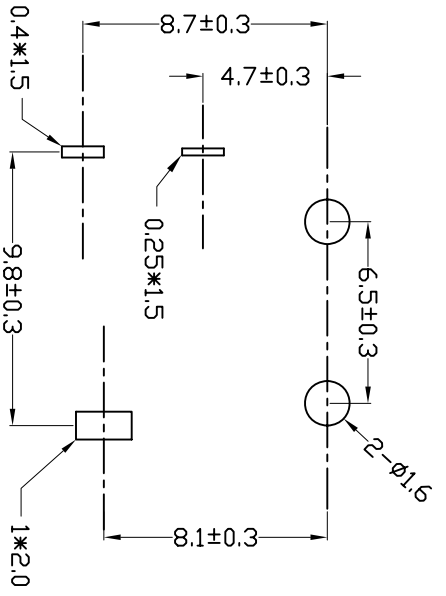
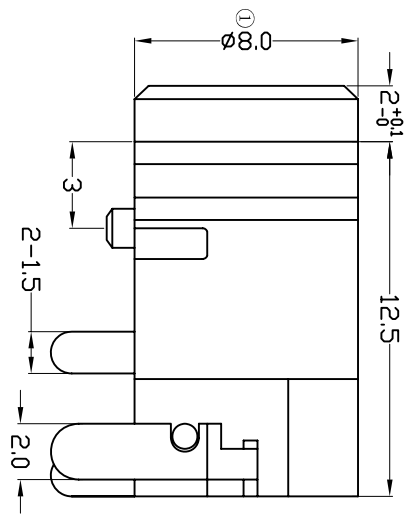
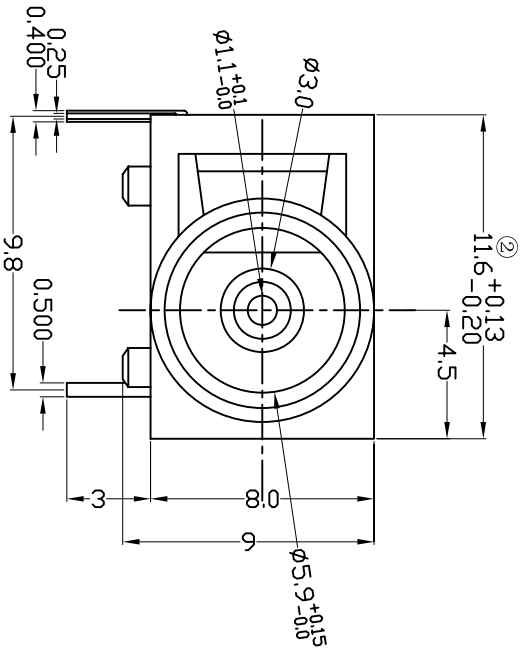
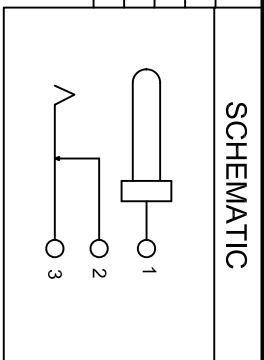


No.	Rev	Mender	Content	Date
①	B	EVEN	追加管制尺寸	2004.5.9
②	C	MAC	尺寸公差变更	2006.5.10
③				
④				



ITEM NO.	DESCRIPTION	QTY	MATERIAL	PLATING
D	TERMINAL 3	1	BRASS	SILVER
C	TERMINAL 2	1	PHOSPHOR BRONZE	SILVER
B	TERMINAL 1	1	BRASS	SILVER
A	HOUSING	1	PA66 (BLACK)	
SING	DESCRIPTION			

順利塑膠五金製品廠  
 Shun Li Plastic Metal Manufacturing  
 DRAWN BY: MAC-LEE  
 REVIEWED BY: ANDY-CHEN  
 CHECKED BY: JOE-LEE  
 APPROVED BY: JOE-LEE

TOLERANCE CHART:	VIEW:	UNIT:	SCALE:
X: ±0.3mm		mm	4:1
XX: ±0.2mm			
XXX: ±0.1mm			
XXXX: ±0.05mm			

PART NAME: DC JACK  
 DATE: MAY.10.2006  
 MODEL NO.: DDC-020-GP  
 REV: C  
 DRAWING NO.: