

NOTE:

1. Material:

Housing: Thermoplastics,UL94V-0(Halogen free;PBT:Black)  
 Contact: Copper Alloy  
 Shell: Copper Alloy

2. FINISH:

Contact: Gold Flash Plated on Contact Area,  
 80u" Min. Tin Plated on Solder Tails Area,  
 50u" Min.Nickel Underplating Over All.

Shell: 50u" Min.Nickel Underplating Over All.

3. Specification:

3.1: Rated current: 1.5 A  
 Insulation Resistance:  
 1000MΩ Min. at 500V/DC for 1Minute.  
 Withstanding voltage: 500 VAC/minute  
 Contact Resistance: 30mΩ Max.

3.2: MECHANICAL

Mating force: 35N(3.57kgf) Max.  
 Unmating force(Without lock):10N(1.02kgf) Min.  
 Durability: 1500 cycles Min.

4. "■" Mark is CPK Dimension

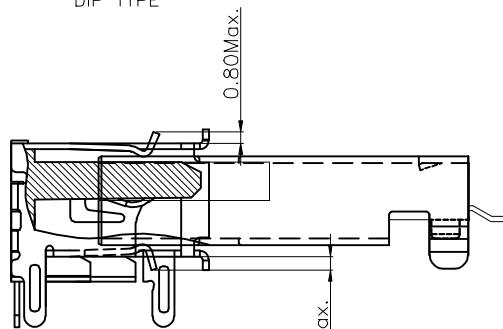
5. Ordering information

USB AF DIP - 049-H

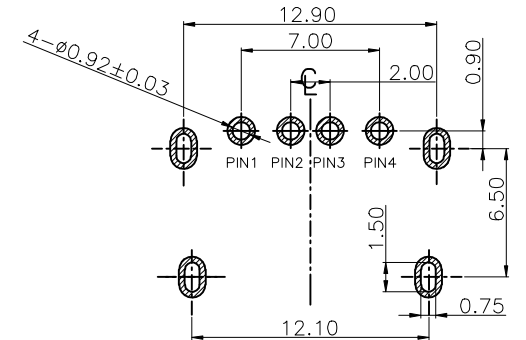
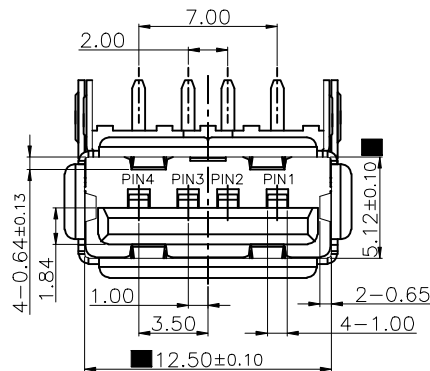
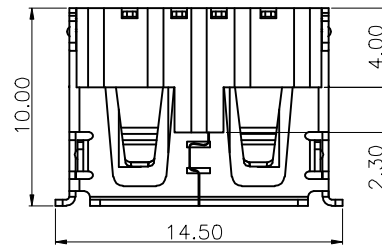
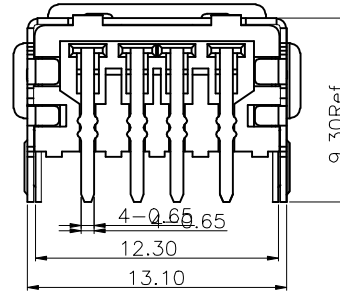
USB SERIES      CONNECTOR TYPE  
 A TYPE FEMALE

CONNECTOR STYLE  
 DIP TYPE

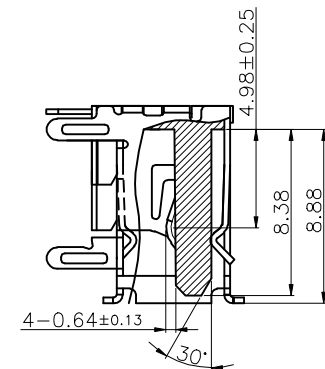
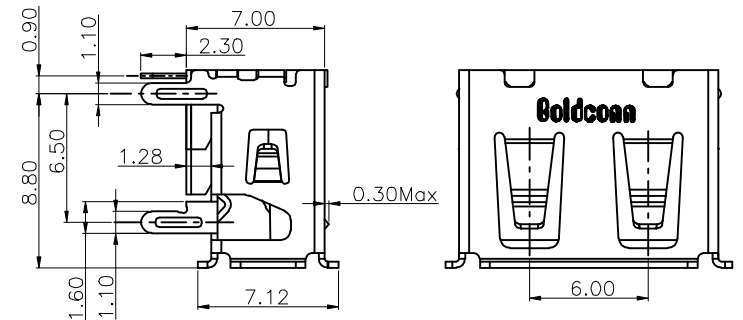
FOLLOW NUMBER



Plug insertion View



RECOMMENDED PCB LAYOUT(TOP VIEW)  
 GENERAL TOLERANCES:±0.05



RoHS Compliant

A1	端子尾部由单卡点改为双卡点	14.09.17	CLH	Stanly
A0	NEW ISSUE	12.07.13		
版本 REV.	变更内容 MODIFICATION	日期 DATE	修改 DRAW	核准 APPROVE

单位 UNIT	mm	* Inspection Item	星赫科技有限公司 SHINE HEH TECHNOLOGY CO., LTD.
比例 SCALE	1:1	@ Cp/Cpk and SPC Control Item	
张数 SHEET	1/1	TOLERANCE UNLESS OTHERWISE SPECIFIED	图号 DWG NO.
制图 DRAWN	CLH	.X±0.30 X'±3' .XX±0.25 X'±1' .XXX±0.15 XX'±	名称 TITLE
审核 CHECKED			USB AF DIP - 049-H
			角法 PROJ.
			客户图