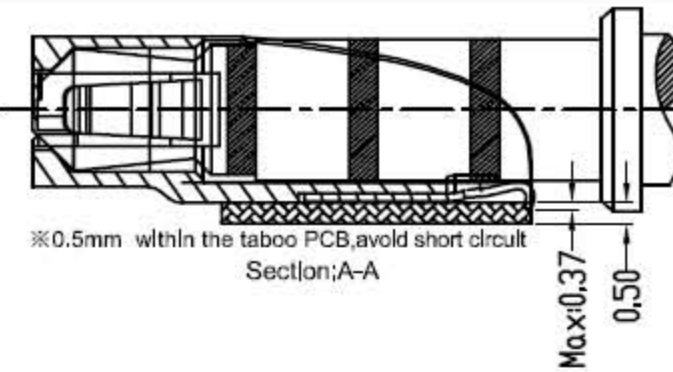


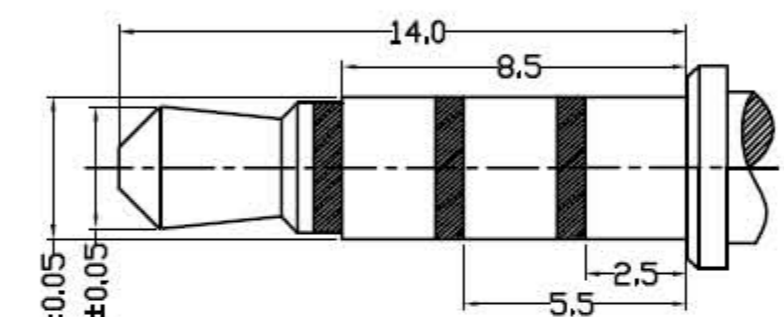
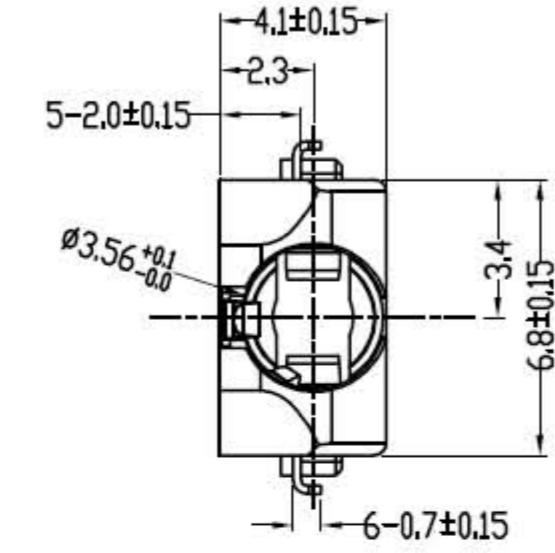
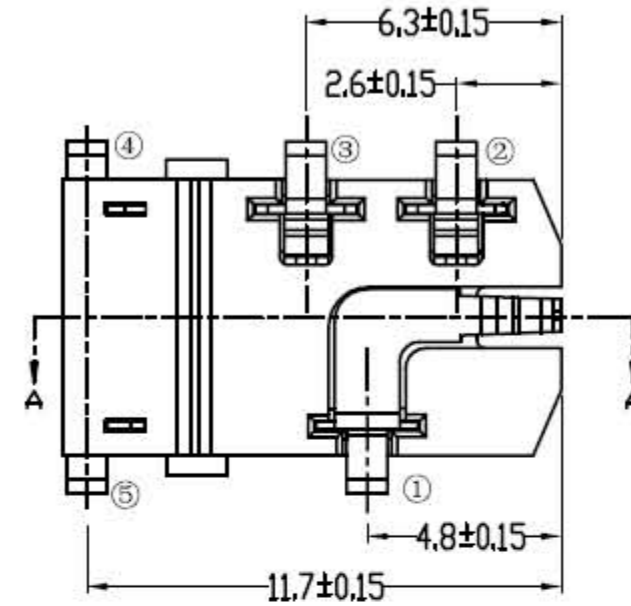
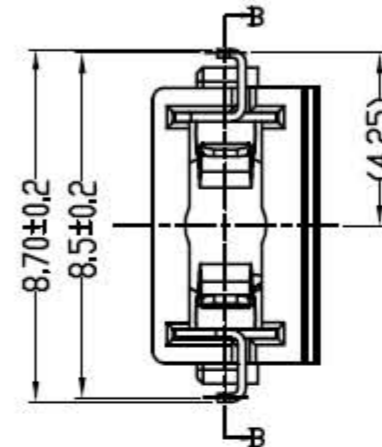
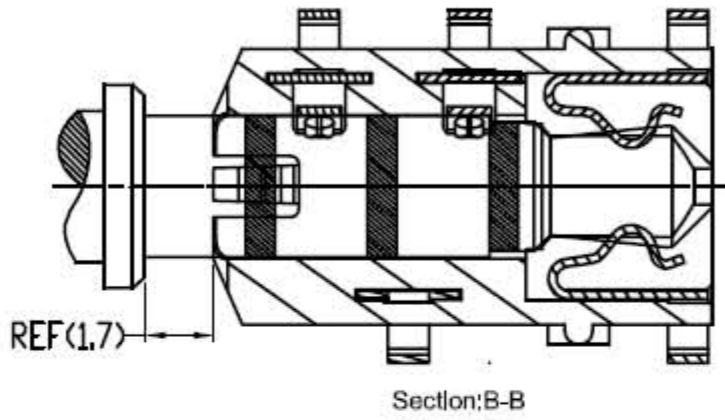
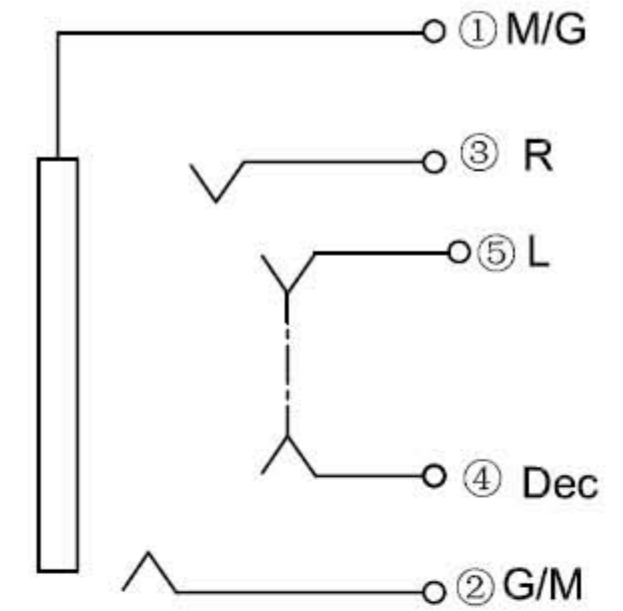
3D VIEW

Plating gold spec	Part No.
Gold flash	EJ-36952-10-GP
Gold flash&Ti(pln1)	EJ-36952-10-T51-GP
Gold 3u"	EJ-36952-10-53-GP
Gold 3u"&Ti(pln1)	EJ-36952-10-T53-GP
Gold 5u"	EJ-36952-10-55-GP
Gold 5u"&Ti(pln1)	EJ-36952-10-T55-GP
.....



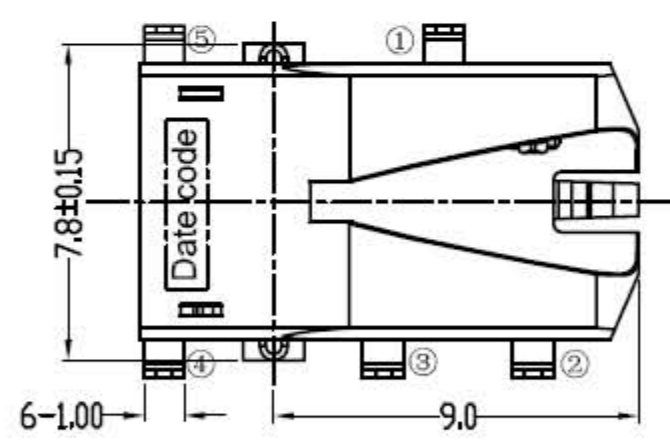
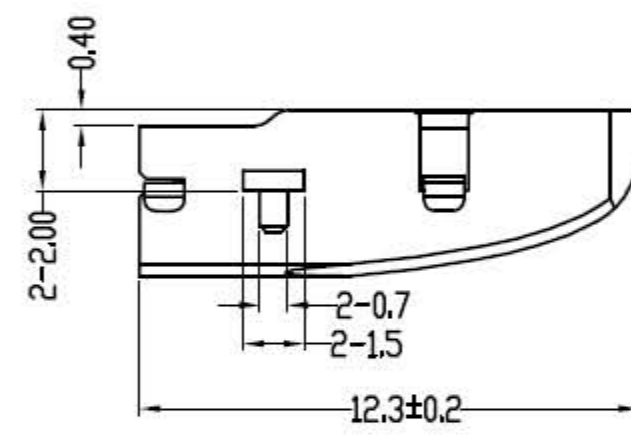
變更履歷表			
Rev	Content	Date	Drawn By

SCHEMATIC

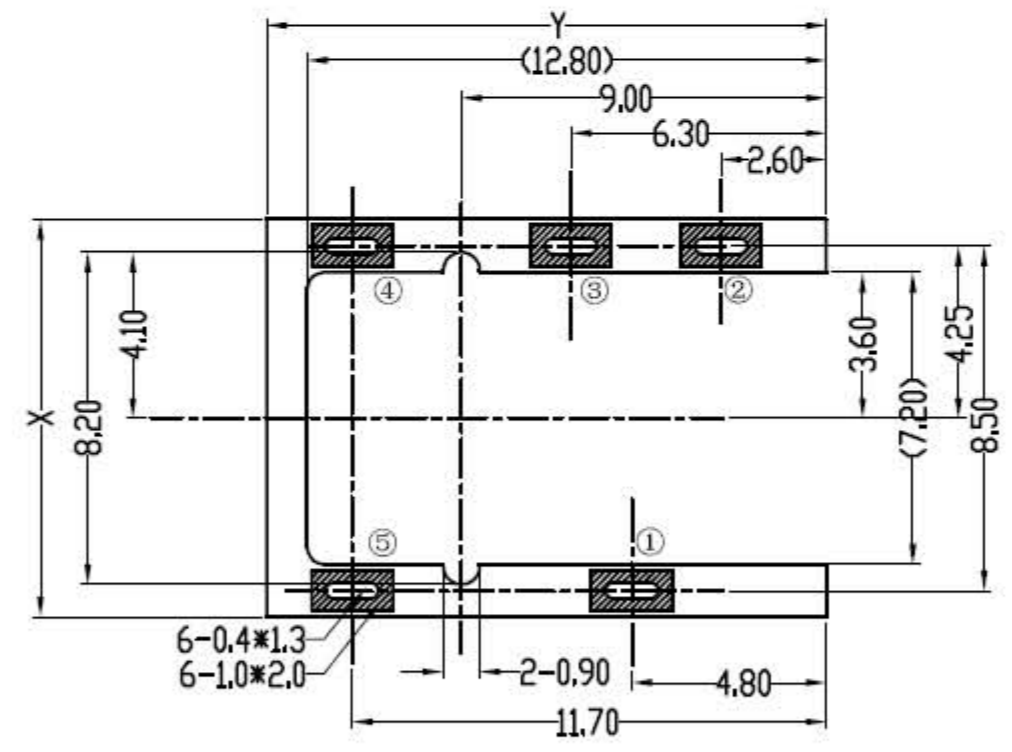
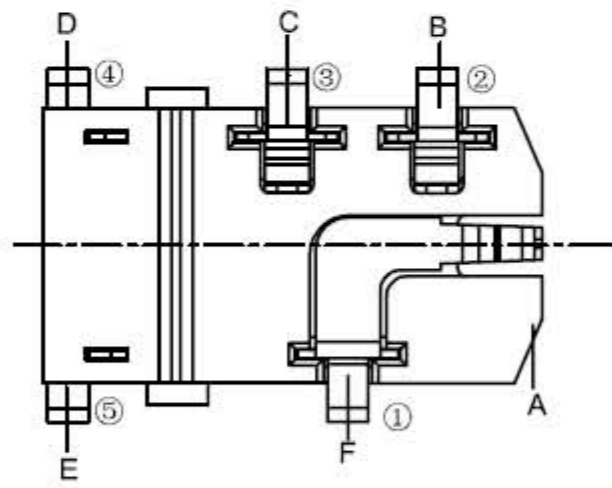


PLUG (參考圖)

Date code
 Notes:
 1.Date code:Logo+YYMMDD
 2.YY:Year(12~)
 MM:Month(01~12)
 DD:Day(01~31)



符合環保要求
 環保標記: Pott
 Hakgen.



PCB LAYOUT TOP VIEW
 TOLERANCE:±0.05

參考圖

SING	DESCRIPTION	QT'Y	PLATING
F	TERMINAL 1	1	PHOSPHOR BRONZE t=0.2mm Gold Flash
E	TERMINAL 5	1	PHOSPHOR BRONZE t=0.2mm Gold Flash
D	TERMINAL 4	1	PHOSPHOR BRONZE t=0.2mm Gold Flash
C	TERMINAL 3	1	PHOSPHOR BRONZE t=0.2mm Gold Flash
B	TERMINAL 2	1	PHOSPHOR BRONZE t=0.2mm Gold Flash
A	HOUSING	1	HTNFR52 (Black)

星赫科技有限公司
 SHINE HEH TECHNOLOGY CO., LTD.

DRAWN BY: J.W-Liang REVIEWED BY: X.H-Liu CHECKED BY: Sunny APPROVED BY: Joe

TOLERANCE CHART:		VIEW:	UNIT:	SCALE:
x.	±0.3mm		mm	1:1
x.x	±0.2mm			
x.xx	±0.1mm			
x.xxx	±0.05mm			
PART NAME:		DATE:	REV:	
EJ-36952-10-GP		2013/08/20	A	
MODEL NO.:		DRAWING NO.:		
EJ-36952-10-GP				