

RoHS Compliant

NOTE:

1. Material:

Housing: Thermoplastics,UL94V-0(LCP,BLACK)
 Contact: Copper Alloy(Brass,C2680R-EH)
 Shell: Stainless Steel(SUS304 1/2H)

2. FINISH:

Contact: Gold 3u" Plated on Nickel Over All,
 Gold Flash Plated on Solder Area
 30u" Min. Ni Under Plated Over All.

Shell: 50u" Min.Nickel Underplating Over All.

3. Specification:

3.1: Electrical:

Insulation Resistance(EIA-364-21):

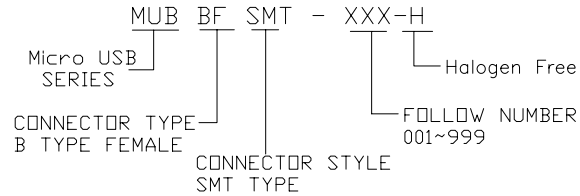
100MΩ Min. at 500V/DC for 1Minute.

Contact Resistance(EIA-364-06): 30 mΩ Max.

Dielectric Withstanding Voltage(EIA-364-20):

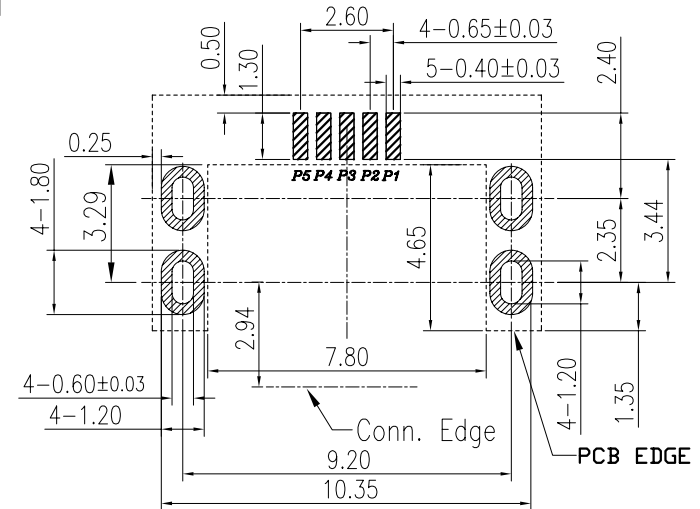
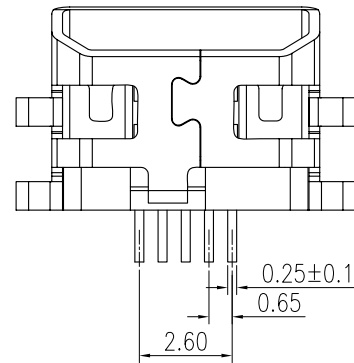
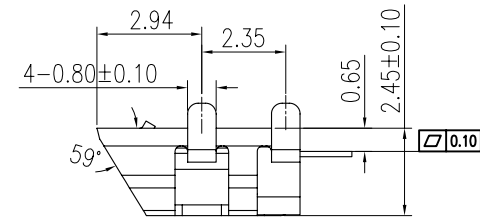
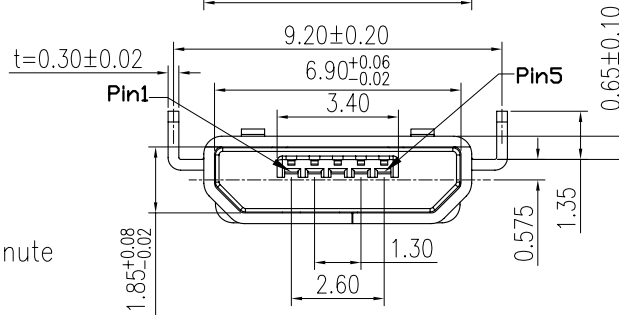
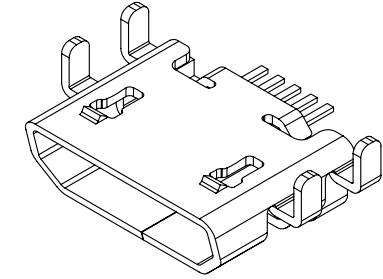
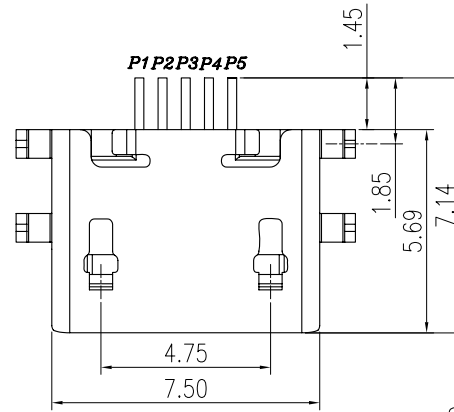
No discharge, flashover or breakdown at 100V/AC 1Minute

4. Ordering Information



PIN Define SIGNAL NAME

Contact Number	Signal Name	Typical Wiring Assignment
PIN 1	VBUS	Red
PIN 2	D-	White
PIN 3	D+	Green
PIN 4	ID	<Ra_PLUG_ID
PIN 5	GND	Black
SHELL	Shield	Drain Wire



RECOMMENDED PCB LAYOUT(TOP VIEW)
 GENERAL TOLERANCES:±0.05

單位 UNIT	mm	* Inspection Item	圖號 DWG NO.
比例 SCALE	1:1	◎ Op/Cpk and SPC Control Item	MUB BF SMT -XXX-H
張數 SHEET	1/1	TOLERANCE UNLESS OTHERWISE SPECIFIED	名稱 TITLE
製圖 DRAWING	Zwj	.X±0.25 .X'±3'	Micro USB BF SMT Type(Reverse Sink0.65)
版本 REV.	NEW ISSUE	.XX±0.20 .X'±1'	角法 PROJ.
	設變內容 MODIFICATION	.XXX±0.10 .XX'±	客戶圖
	日期 DATE		
	修改 DRAW		
	核准 APPROVE		
	審核 CHECKED		