

NOTE:

1. Material:

Housing: LCP Black;Thermoplastics,UL94V-0;  
 CAP: LCP Black;Thermoplastics,UL94V-0;  
 Contact: Phosphor bronze  
 Latch: Stainless Steel,SUS304 3/4H  
 Shell: Brass C2680R-H

2. FINISH:

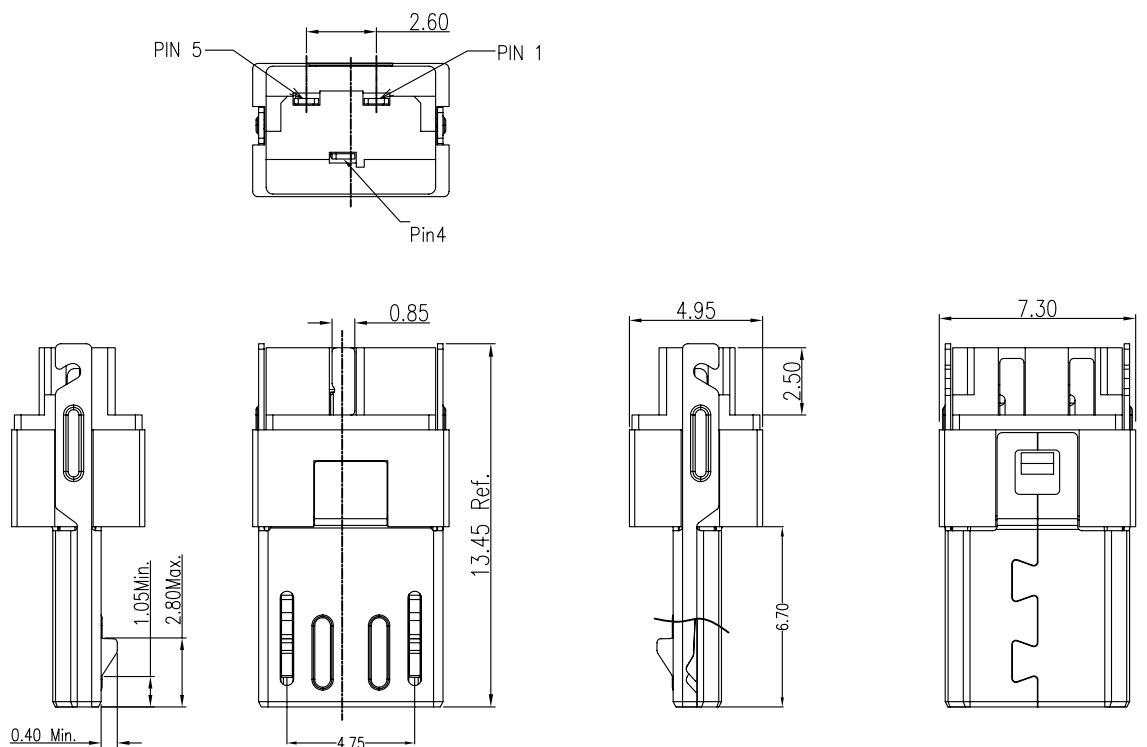
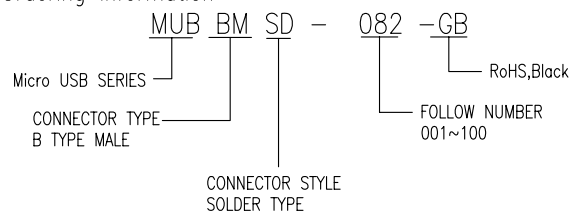
Contact: Au 1u" Plated on Contact Area,  
 100u" Min.Tin Plated on Solder Tails,  
 50u" Min.Nickel Underplating Over All.  
 Shell: 50u" Min.Nickel Underplating Over All.

3. Specification:

3.1: Electrical:

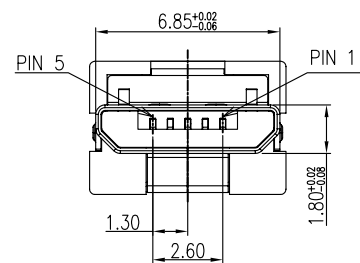
Insulation Resistance(EIA-364-21):  
 100MΩ Min. at 500V/DC for 1Minute.  
 Contact Resistance(EIA-364-06): 30 mΩ Max.  
 Dielectric Withstanding Voltage(EIA-364-20):  
 No discharge, flashover or breakdown at 100V/AC 1Minute

4. Ordering Information



Pin Assignment

CONTACT NUMBER	SIGNAL NAME
PIN 1	D-
PIN 2	Short Circuit
PIN 3	
PIN 4	ID
PIN 5	D+



项次 NO.	品名 NAME	料号 P/N	表面处理 PLATING	备注 REMARK
5	LATCH	GMB33U-1A1-VX00	不锈钢	
4	SHELL	GMB34B-1A1-SN12	铜壳镀镍	
3	CAP	HMB25L-1A1-BX00	黑色LCP	
2	HOUSING	HMB26L-1A1-BX00	黑色LCP	
1	CONTACT <3P>	GMB22P-1G1-VP01	镀半金亮锡G/F	
	CONTACT <4P>	GMB22P-1A3-VP01		
	CONTACT <2P>	GMB22P-1G2-VP01		
	CONTACT <1,5P>	GMB22P-1A2-VP01		

單位 UNIT	MM	☒ Inspection Item	
比例 SCALE	1:1	■ Cp/Cpk and SPC Control Item	
張數 SHEET	1*1	TOLERANCE UNLESS OTHERWISE SPECIFIED	圖號 DWG NO. MUB BM SD-082-CB
製圖 DRAWING	CLH	.X±0.30	名稱 TITLE Micro USB B Type Male 焊線 2.3PIN短接(前五后三)
版本 REV.	NEW ISSUE	.XX±0.25	角法 PROJ.
	設變內容 MODIFICATION	.XXX±0.10	客戶圖
	日期 DATE		
	修改 DRAW		
	核准 APPROVE		
	審核 CHECKED		