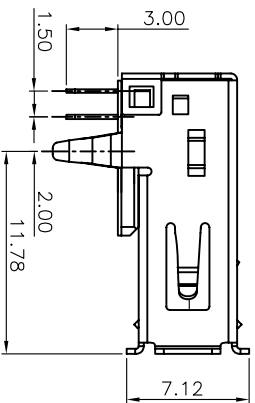
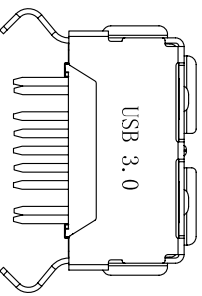


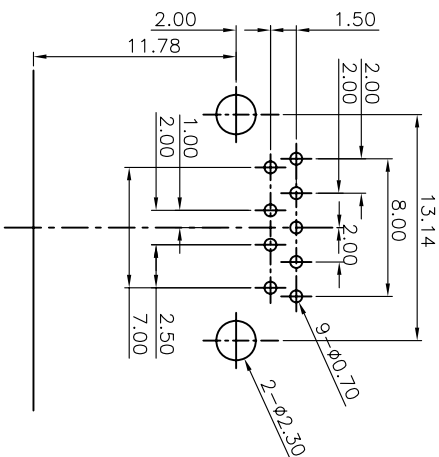
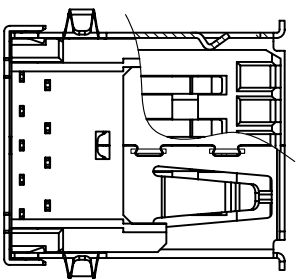
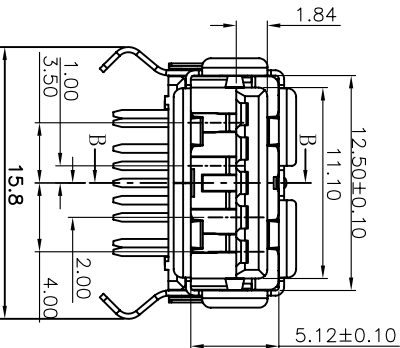
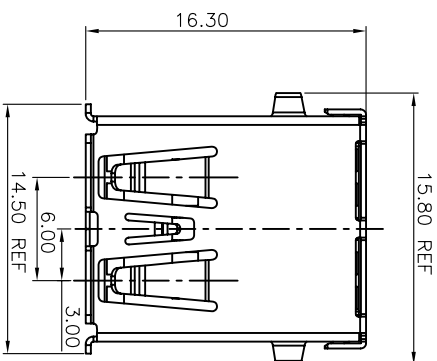
1 Housing: Thermoplastics, UL94V-0
 Contact: Copper Alloy, Gold Plated on Contact Area (see p/n.)
 Matte Tin 80u" Plated on Solder Tails,
 Under Nickel Plated.
 Shell: Stainless Steel, Nickel Plated
 Voltage Current Rating: 1.5 AMP. 30V AC
 Insulation Resistance: 1000MΩ Min.
 Contact Resistance: 30 mΩ Max.
 Dielectric Withstanding Voltage: 500V AC
 Temperature Range: -55°C to +85°C



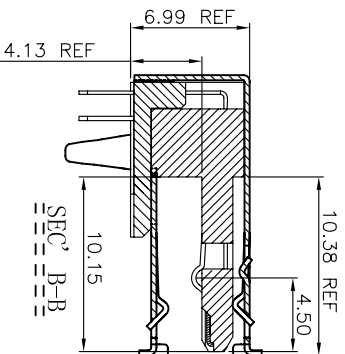
ORDERING INFORMATION

USB AF DIP - 0XX
 USB SERIES
 CONNECTOR TYPE
 A TYPE FEMALE
 FOLLOW NUMBER
 001~100
 CONNECTOR STYLE
 DIP TYPE

Shell	Color	Plating	Housing	Packing	P/N
Stainless steel	Blue	15u"	PBT	Tray	USB AF DIP-015
	Blue	30u"	PBT	Tray	USB AF SMT-055



RECOMMENDED PCB LAYOUT(TOP VIEW)
 GENERAL TOLERANCES: ±0.05



版本	NEW	11.11.15	修改	批准
REV.	MODIFICATION	DATE	DRAW	APPROVE

單位	mm	* Inspection Item	Boldicon 高端電子有限公司 GOLDICON ELECTRONICS CO.,LTD.
比例	1:1	Control Item	
張數	1/1	TOLERANCE UNLESS OTHERWISE SPECIFIED	USB AF DIP - 0XX USB 3.0 AF 90° DIP
圖號	L-30	X±0.30 X±.3 XX±0.25 .X±.1 XXX±0.10 .XX±.	
型圖		名標	角法
DRWIN		圖號	角法
審核		圖號	角法
審核		圖號	角法

1 2 3 4 5 6 7 8