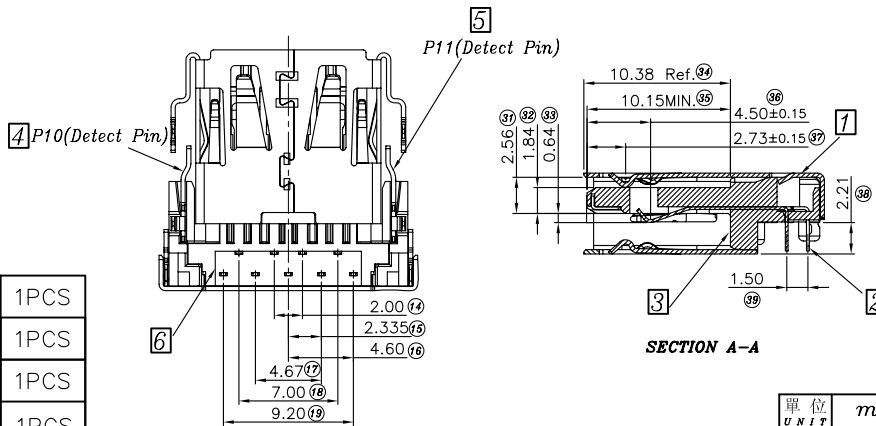
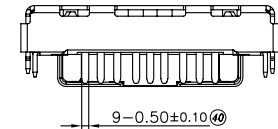
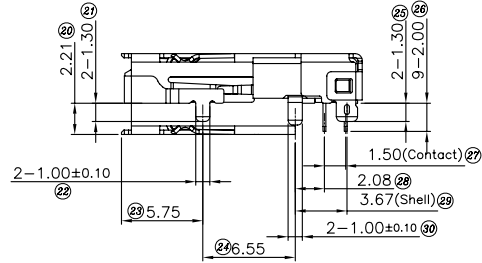
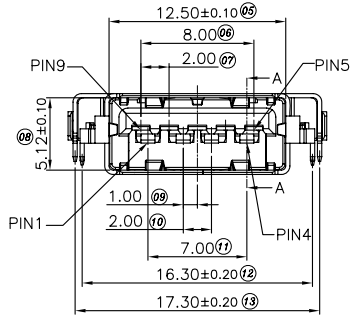
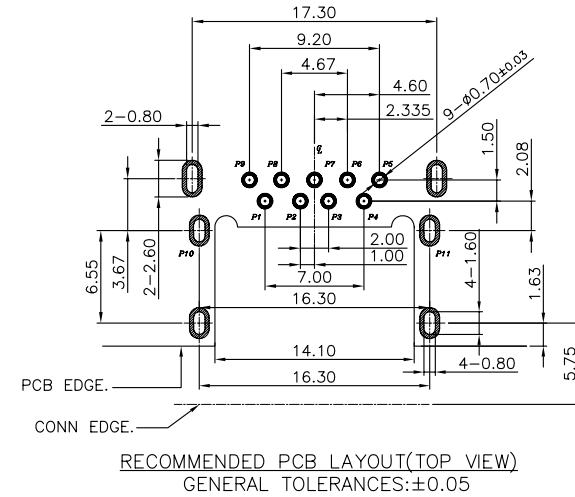
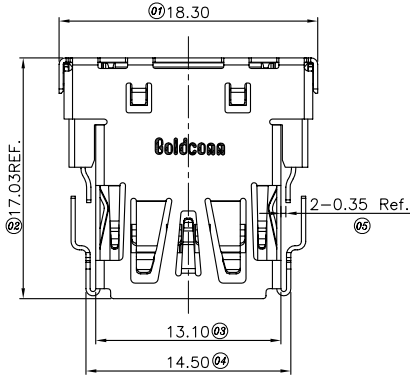
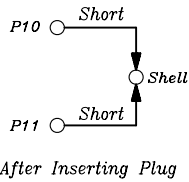
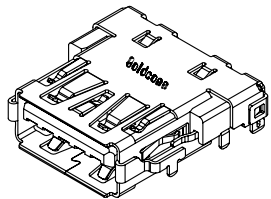


RoHS Compliant

NOTE:

- Material:
Housing&Back Cover: Thermoplastics,UL94V-0;PBT Blue(Halogen Free);
9pin Contact: Copper Alloy
Detect pin: Copper Alloy
Shell: Stainless Steel
- FINISH:
Contact: Gold 15u" Plated on Contact Area,
80u" Min.Bright Tin Plated on Solder Tails Area,
50u" Min.Nickel Underplating Over All.
Detect pin: Gold 3U" Plated on Contact Area,
80u" Min.Matte Tin Plated on Solder Tails Area,
50u" Min.Nickel Underplating Over All.
Shell: 50u" Min.Nickel Underplating Over All.
- Specification:
3.1: Voltage Current Rating: 1.5 AMP. 30V/AC
Insulation Resistance:
100MΩ Min. at 100V/DC for 1Minute.
Withstanding voltage: 100V/AC for 1Minute
Contact Resistance:
30mΩ(Max) initial for VBUS and GND contacts.
50mΩ(Max) initial for all other contacts.
3.2: Characteristics:
Mating force: 35N(3.57kgf) Max.
Unmating force(Without lock):10N(1.02kgf) Min.
Durability: 1500 cycles Min.
- Ordering information

USB AF DIP - 351-HL
USB SERIES CONNECTOR TYPE CONNECTOR STYLE Halogen Free,Blue FOLLOW NUMBER
A TYPE FEMALE DIP TYPE



Pin Assignment		
Pin No.	Signal Name	Description
1	VBUS	Power
2	D-	USB2.0 differential pair
3	D+	
4	GND	Ground for power return
5	StdA_SSRX-	SuperSpeed receiver differential pair
6	StdA_SSRX+	
7	GND_DRAIN	Ground for signal return
8	StdA_SSTX-	SuperSpeed transmitter differential pair
9	StdA_SSTX+	
10	Insertion	Receptacle only, detects insertion of a plug into the Receptacle
11	Detcet	Receptacle only, detects insertion of a plug into the Receptacle
Shell	Shield	Connector metal shell

6	BACK COVER	HUB52T-1A1-LX00-H	PBT Blue(Halogen Free)	1PCS
5	Right Detect	GUB71B-1B1-VW03	Copper Alloy,Gold 3U" Plated on Contact Area, 80u" Min.Matte Tin Plated on Solder Tails Area, 50u" Min.Nickel Underplating Over All.	1PCS
4	Left Detect	GUB71B-1A1-VW03		1PCS
3	BODY	HUB51T-1A1-LX00-H	PBT Blue(Halogen Free)	1PCS
2	9PIN Terminal	GUB70C-1A1-NP15	Copper Alloy, 15u" Au Plated on contact Area 80u" Min. Bright Tin Plated on Solder Area	9PCS
1	Shell	GUB69U-1A1-SN12	Stainless Steel, SUS304 1/2H, Ni Plated over all	1PCS
项次 NO.	品称 NAME	料号 P/N	表面处理 PLATING	备注 MARK

AO	NEW ISSUE	15.01.22			
版本 REV.	設變內容 MODIFICATION	日期 DATE	修改 DRAW	核准 APPROVE	審核 CHECKED

單位 UNIT	mm	*: Inspection Item	
比例 SCALE	1:1	CP: Cp/Cpk and SPC Control Item	
張數 SHEET	1/1	TOLERANCE UNLESS OTHERWISE SPECIFIED	
製圖 DRAWING	Lxb	.X±0.30 .X'±3'	圖號 DWG NO.
		.XX±0.25 .X'±1'	名稱 TITLE
		.XXX±0.10 .XX'±	角法 PROJ.
			USB 3.1 AF 90° 沉板2.21mm (PBT藍殼無齒, 半金15u")
			客戶圖