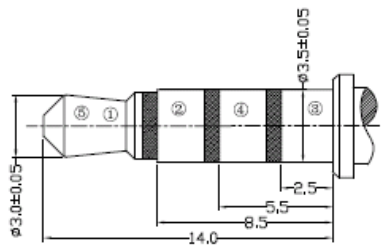
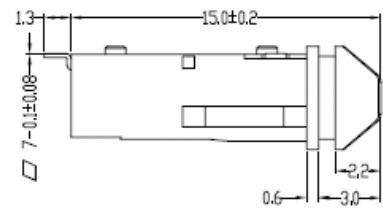
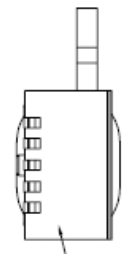


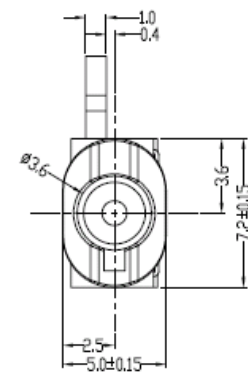
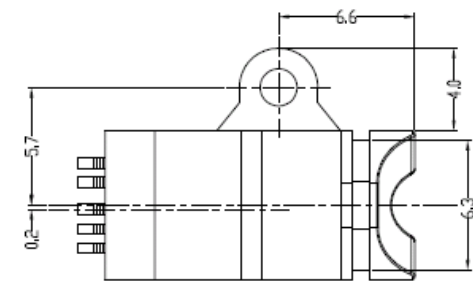
3D VIEW



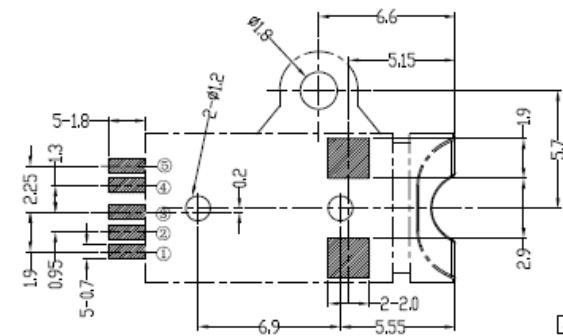
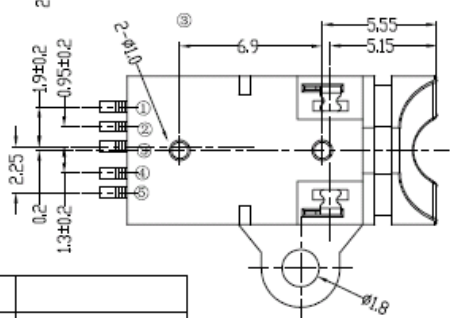
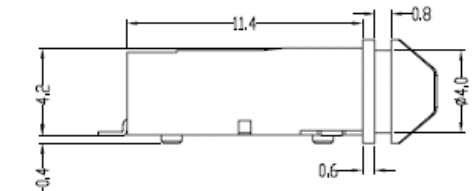
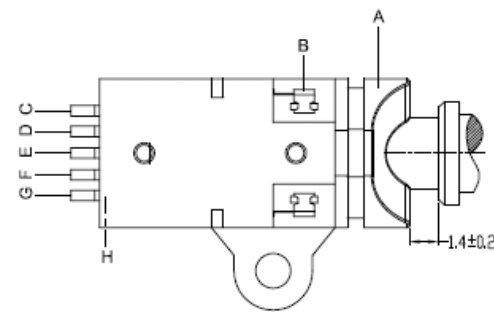
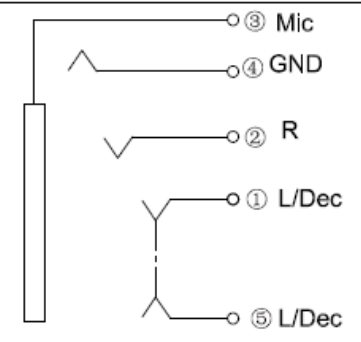
PLUG (參考圖)



Epoxy resin, Black



SCHEMATIC



F.P.C layout
Top view
Tolerance:±0,05

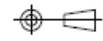
符合環保要求
環保材料: *Peris Halogen*

Date code
Notes:
1.Date code:LogoYYMMDD
2.Logo:"SW"
3.YY:Year(14-)
MM:Month(01-12)
DD:Day(01-31)
A :Cavity number: (A-P)

H	COVER	1	HTNFR52 (Black)	
G	TERMINAL ⑤	1	STAINLESS STEEL t=0,2mm	Gold Flash
F	TERMINAL ④	1	PHOSPHOR BRONZE t=0,2mm	Gold Flash
E	TERMINAL ③	1	PHOSPHOR BRONZE t=0,2mm	Gold Flash
D	TERMINAL ②	1	PHOSPHOR BRONZE t=0,2mm	Gold Flash
C	TERMINAL ①	1	STAINLESS STEEL t=0,2mm	Gold Flash
B	TERMINAL	2	STAINLESS STEEL t=0,2mm	Gold Flash
A	HOUSING	1	HTNFR52 (Black)	
SING	DESCRIPTION	QTY		PLATING


星赫科技有限公司
 SHINE HEH TECHNOLOGY CO., LTD.

DRAWN BY: **J.W-Liang**
 REVIEWED BY: **X.H.Liu**
 CHECKED BY: **Sunny**
 APPROVED BY: **Joe**

TOLERANCE CHART:	VIEW:	UNIT:	SCALE:
x. ±0.3mm		mm	1 : 1
x.x ±0.2mm	PART NAME:	DATE:	REV:
x.xx ±0.1mm	AUDIO-JACK	2013/11/21	A
x.xxx ±0.05mm	MODEL NO.:	DRAWING NO.:	
	EJ-36459-XXX-GP		