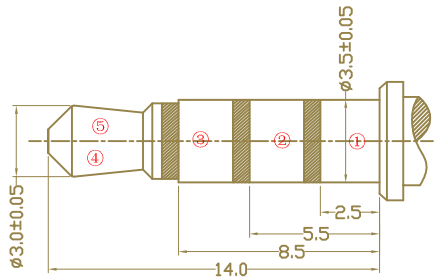
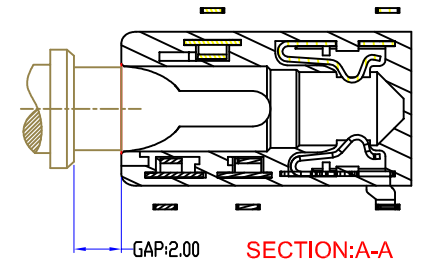
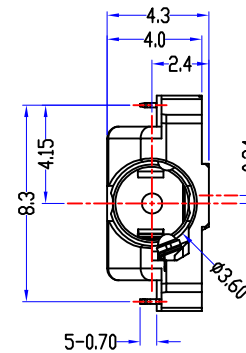
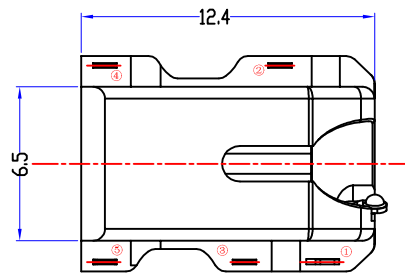
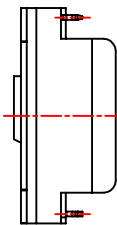
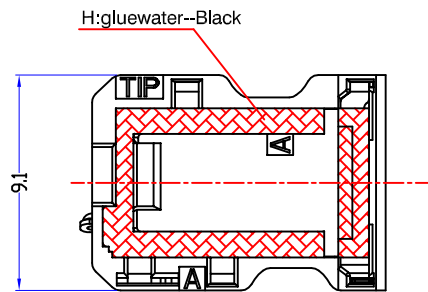
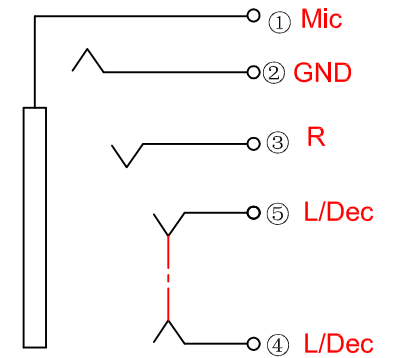
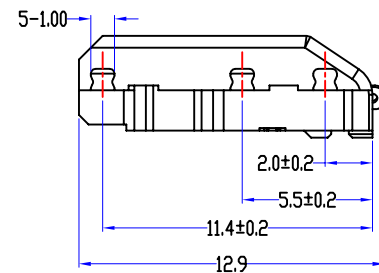


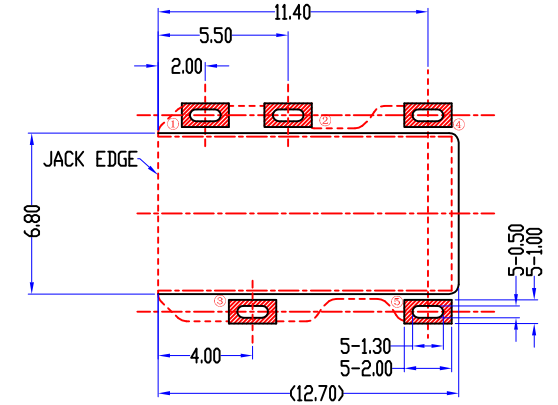
# SCHEMATIC



PLUG (參考圖)



符合環保要求  
環保標識: POFs Halogen.



PCB LAYOUT  
TOP VIEW TOLERANCE: ±0.05mm

G	TERMINAL	1	PHOSPHOR BRONZE t=0.2mm	2u"Au on Contact Area And 2u" Au On Solder Area. Others Area Ni 40u"~160u"
F	TERMINAL	1	STAINLESS STEEL SUS301 t=0.2mm	
E	TERMINAL	1	STAINLESS STEEL SUS301 t=0.2mm	
D	TERMINAL	1	PHOSPHOR BRONZE t=0.2mm	
C	TERMINAL	1	PHOSPHOR BRONZE t=0.2mm	
B	COVER	1	PA9T -BLACK	
A	HOUSING	1	PA9T -BLACK	
	DESCRIPTION	QT'Y		PLATING

<b>星赫科技有限公司</b> SHINE HEH TECHNOLOGY CO., LTD.			
DRAWN BY:	REVIEWED BY:	CHECKED BY:	APPROVED BY:
<b>J.W-Liang</b>	<b>X.H.Liu</b>	<b>Sunny</b>	<b>Delta</b>

TOLERANCE CHART:	VIEW:	UNIT: mm	SCALE: 1:1
x. ±0.3mm	PART NAME: AUDIO-JACK	DATE: 2014/11/21	REV: A
x.x ±0.2mm	MODEL NO.:	DRAWING NO.:	
x.xx ±0.1mm	<b>WP-36461-GP</b>		
x.xxx ±0.05mm			