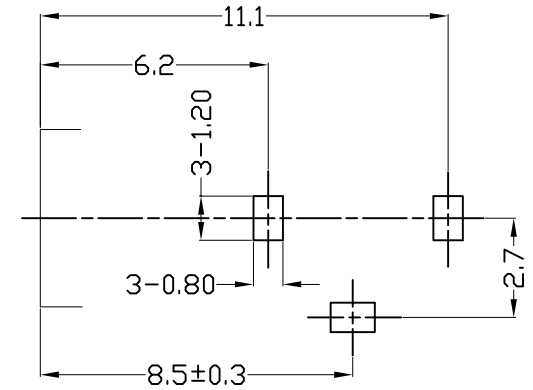
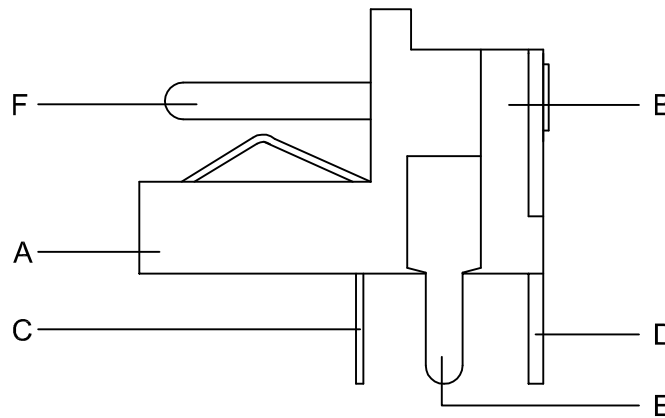


PIN	Part No.
$\phi 1.0$	DC-005-01-GP
$\phi 1.3$	DC-005-13-GP



PCB LAYOUT

F	PIN	1	BRASS	NICKEL
E	TERMINAL 3	1	BRASS	SILVER
D	TERMINAL 2	1	BRASS	SILVER
C	TERMINAL 1	1	SUS	SILVER
B	BASE	1	PBT (BLACK)	
A	HOUSING	1	PBT (BLACK)	
SING	DESCRIPTION	QTY	MATERIAL	PLATING



DRAWN BY:	REVIEWED BY:	CHECKED BY:	APPROVED BY:
Thoms	steven	steven	Joe-Lee

TOLERANCE CHART:	VIEW:	UNIT:	SCALE:
x. ±0.3mm		mm	4.5:1
x.x ±0.2mm	PART NAME:	DATE:	REV:
x.xx ±0.1mm	DC JACK	AUG.17.2006	A
x.xxx ±0.05mm	MODEL NO.:	DRAWING NO.:	
DC-005-Series			