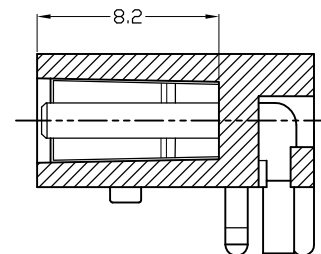
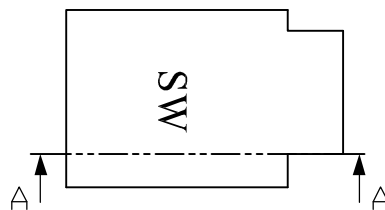
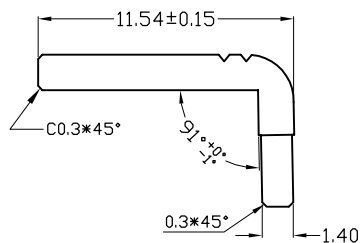
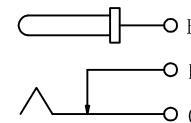
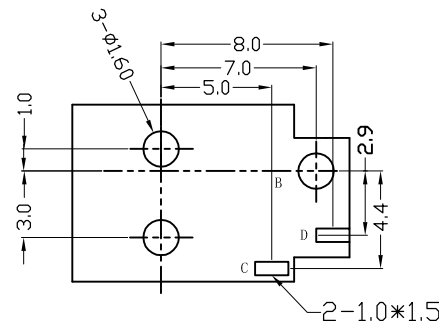
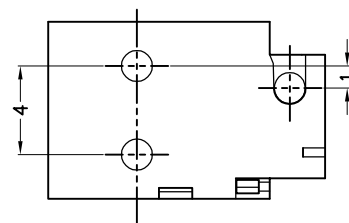
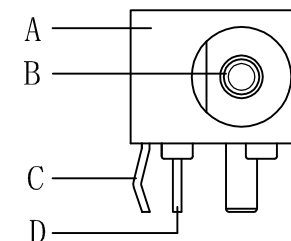
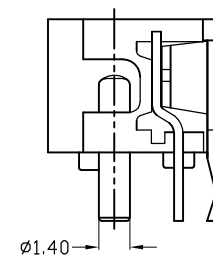
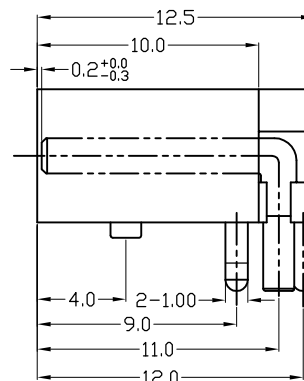
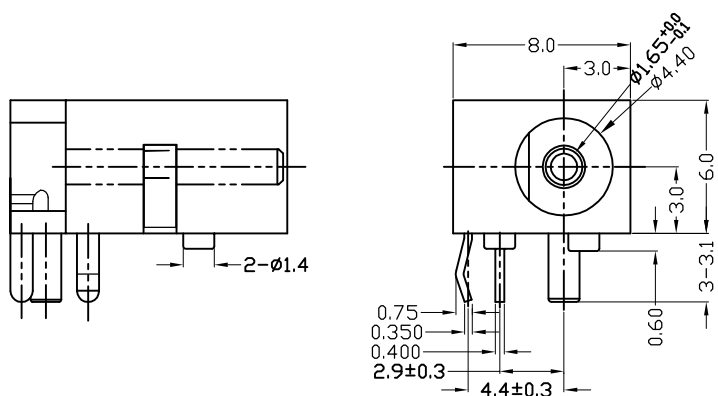


SCHMATIC



SECTION A-A



HOLE LAYOUT  
(BOTTOM VIEW)

Notes:

1.追加尺寸標注, 版本由A變為B, Date: 09.06.26



星赫科技有限公司  
SHINE HEH TECHNOLOGY CO., LTD.

DRAWN BY: J.W-Liang  
REVIEWED BY: X.H-Liu  
CHECKED BY: Sunny  
APPROVED BY: Joe

TOLERANCE CHART:  
x. ±0.3mm  
x.x ±0.2mm  
x.xx ±0.1mm  
x.xxx ±0.05mm

VIEW:   
PART NAME: DC JACK  
MODEL NO.: DC-014-02-GP

UNIT: mm  
DATE: AUG.05.2005

SCALE: 3:1  
REV: B  
DRAWING NO.:

SING	DESCRIPTION	QT'Y	MATERIAL	PLATING
D	TERMINAL 2	1	BRASS	SILVER
C	TERMINAL 1	1	SUS301	SILVER
B	PIN	1	BRASS	SILVER
A	HOUSING	1	NYLON(PA66)	BLACK