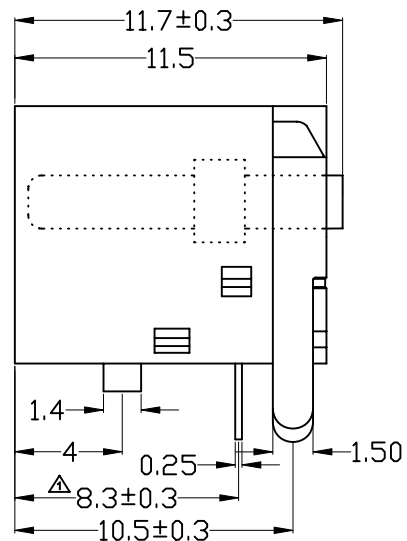
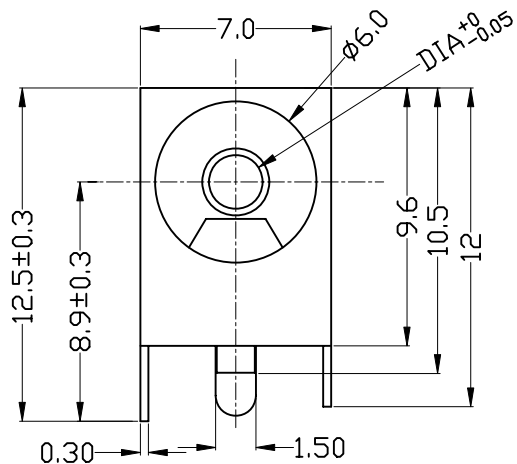
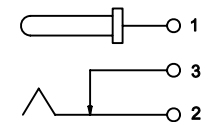
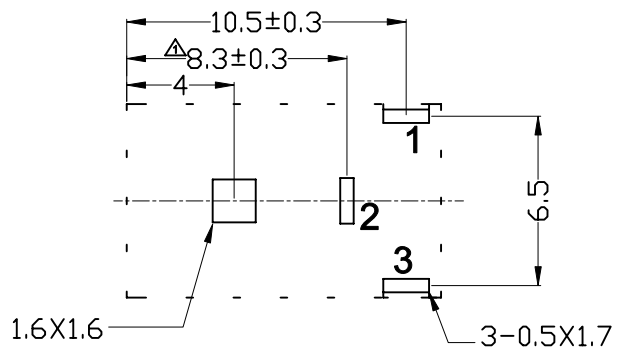


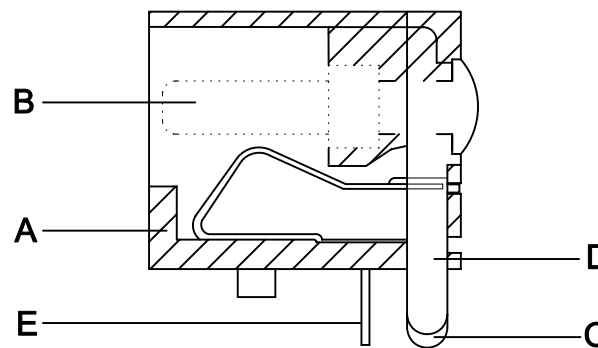
**SCHEMATIC**



Part N.o	DC-018-03-GP	DC-018-02-GP	DC-018-01-GP
DIA	Ø2.5	Ø2.35	Ø2.0



**HOLE LAYOUT  
(BOTTOM VIEW)**



**Notes:**

△ 1. 将8.0mm修改为8.3mm,  
修改日期: 2016.04.13.

SING	DESCRIPTION	QTY	MATERIAL	PLATING
E	TERMINAL 3	1	SUS	SILVER
D	TERMINAL 2	1	BRASS	SILVER
C	TERMINAL 1	1	BRASS	SILVER
B	PIN	1	BRASS BAR	NICKEL
A	HOUSING	1	HTN FR52G30	BLACK

**星赫科技有限公司**  
SHINE HEH TECHNOLOGY CO., LTD.

DRAWN BY: J.W-Liang  
REVIEWED BY: X.H-Liu  
CHECKED BY: Sunny  
APPROVED BY: Delta

TOLERANCE CHART:	VIEW:	UNIT:	SCALE:
x. ±0.3mm		mm	3.5:1
x.x ±0.2mm	PART NAME:	DATE:	REV:
x.xx ±0.1mm	DC JACK	APR.19.2006	B
x.xxx ±0.05mm	MODEL NO.:	DRAWING NO.:	
<b>DC-018-XX-GP</b>			