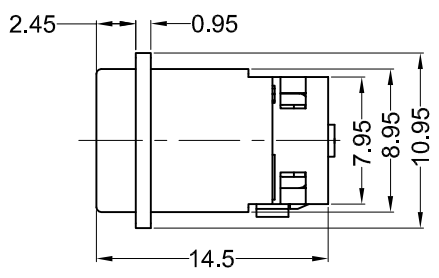
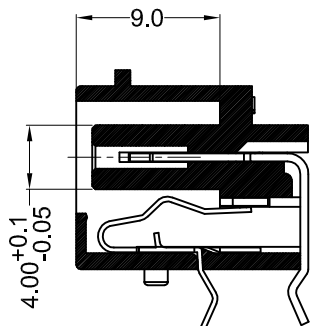
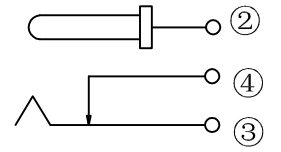


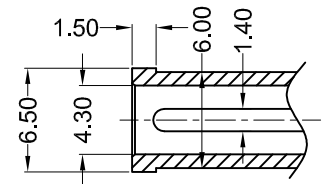
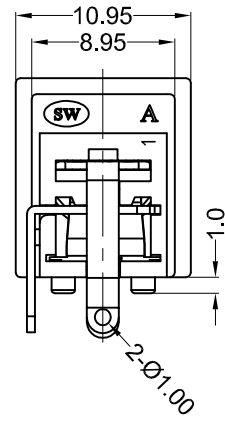
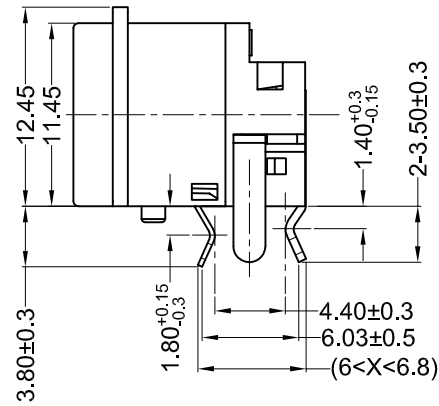
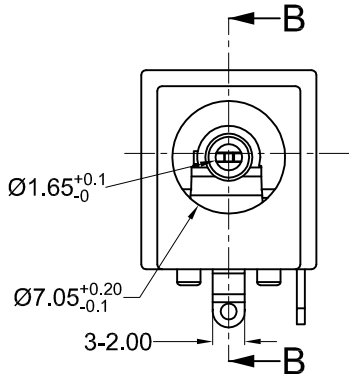
3D View



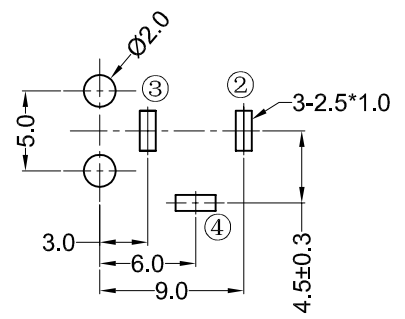
**SCHEMATIC**



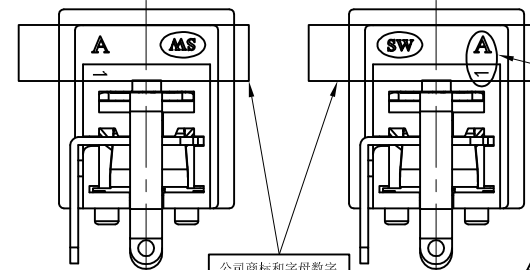
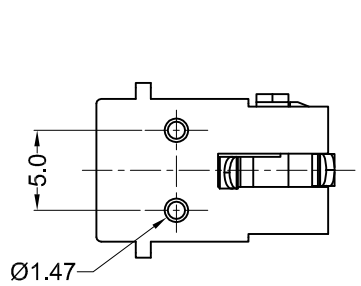
Section:B-B



Plug View



PCB LAYOUT T=1.2mm  
TOLERANCE:±0.3mm  
(TOP VIEW)



此处A(字母)和1(数字),是代表产品材质区分,材质: PBT+G.F

公司商标和字母数字会同时在左边和右边存在

Notes:  
▲變更內容:  
(1).產品追加数字<1>来区分材质,以便材质区分;  
(2)版本變更為時間:2016.08.03,版本變更為B.

|      |                 |     |                       |         |
|------|-----------------|-----|-----------------------|---------|
| D    | TERMINAL        | 1   | BRASS t=0.5           | SILVER  |
| C    | SLEEVE TERMINAL | 1   | PHOSPHOR BRONZE t=0.3 | SILVER  |
| B    | TERMINAL        | 1   | PHOSPHOR BRONZE t=0.5 | SILVER  |
| A    | HOUSING         | 1   | PBT+G.F               | BLACK   |
| SING | DESCRIPTION     | QTY | MATERIAL              | PLATING |

**SHINE HEH** 星赫科技有限公司  
SHINE HEH TECHNOLOGY CO., LTD.

DRAWN BY: J.W-Liang    REVIEWED BY: X.H-Liu    CHECKED BY: Sunny    APPROVED BY: Joe

|                  |              |              |        |
|------------------|--------------|--------------|--------|
| TOLERANCE CHART: | VIEW:        | UNIT:        | SCALE: |
| x. ±0.4mm        |              | mm           | 2:1    |
| x.x ±0.3mm       | PART NAME:   | DATE:        | REV:   |
| x.xx ±0.2mm      | DC JACK      | 2014.09.14   | B      |
| x.xxx ±0.1mm     | MODEL NO.:   | DRAWING NO.: |        |
| x.xxxx ±0.05mm   | DC-021-07-GP |              |        |