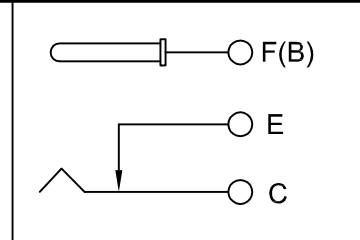
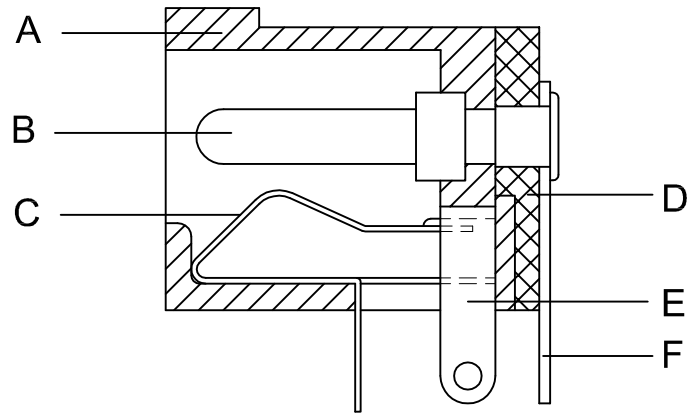
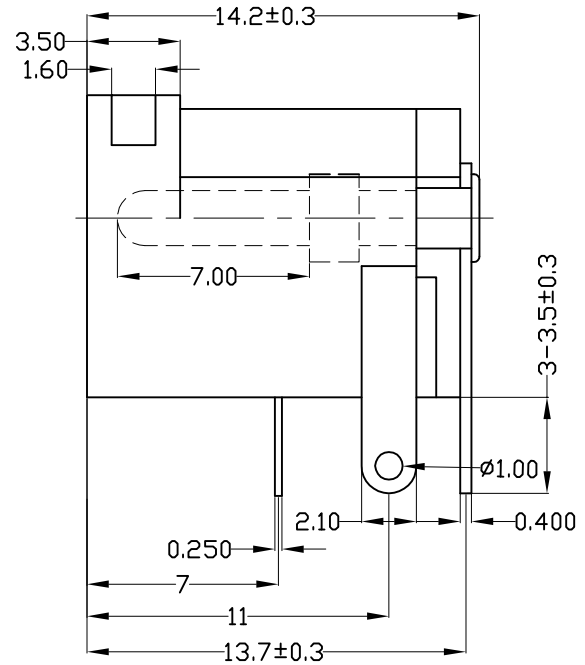
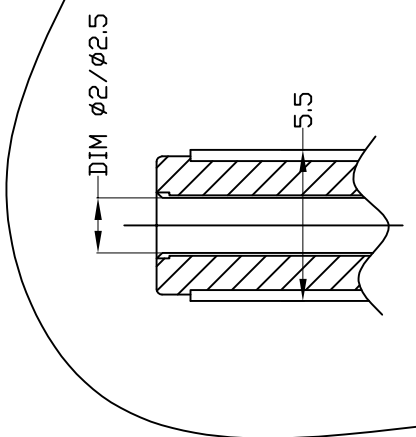



PCB LAYOUT




Part N.o	DC-208-02-GP	DC-208-01-GP
DIA	Ø2.5	Ø2.0



F	PIN TERMINAL	1	BRASS	SILVER
E	BREAK TERMINAL	1	BRASS	SILVER
D	COVER	1	PBT	NATURAL
C	SLEEVE TERMINAL	1	PHOSPHOR BRONZE	SILVER
B	PIN	1	BRASS BAR	NICKEL
A	HOUSING	1	NYLON+G	BLACK
SING	DESCRIPTION	QT'Y	MATERIAL	PLATING


星赫科技有限公司
 SHINE HEH TECHNOLOGY CO., LTD.

DRAWN BY:	REVIEWED BY:	CHECKED BY:	APPROVED BY:
J.W-Liang	X.H-Liu	Sunny	Joe

TOLERANCE CHART:	VIEW:	UNIT:	SCALE:
x. ±0.3mm		mm	3.5:1
x.x ±0.2mm	PART NAME:	DATE:	REV:
x.xx ±0.1mm	DC JACK	JUL.29.2014	A
x.xxx ±0.05mm	MODEL NO.:	DRAWING NO.:	
	DC-208-XX-GP		