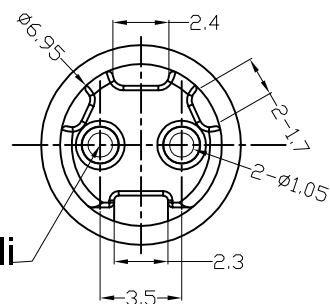
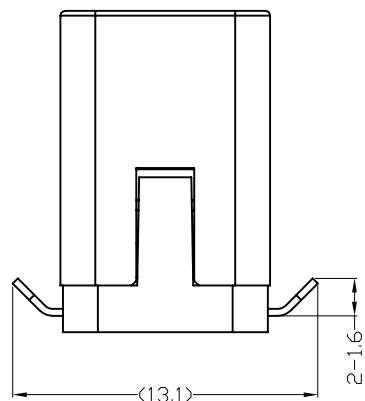
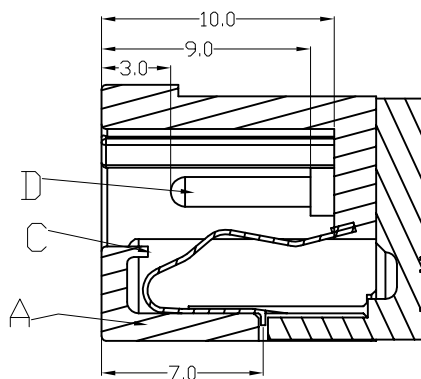
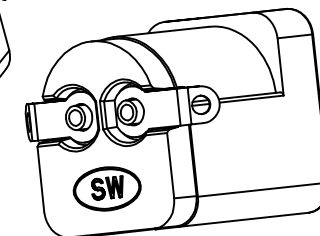
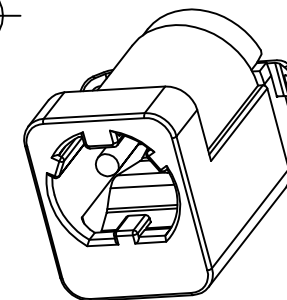
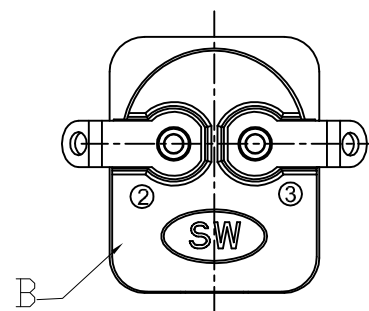
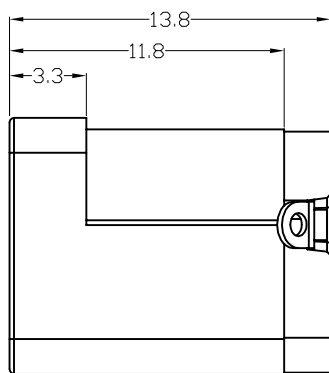
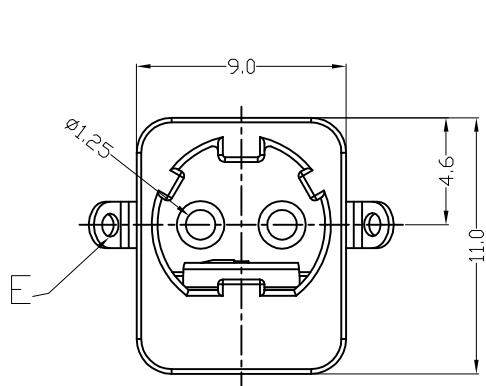
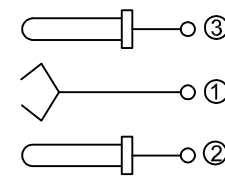
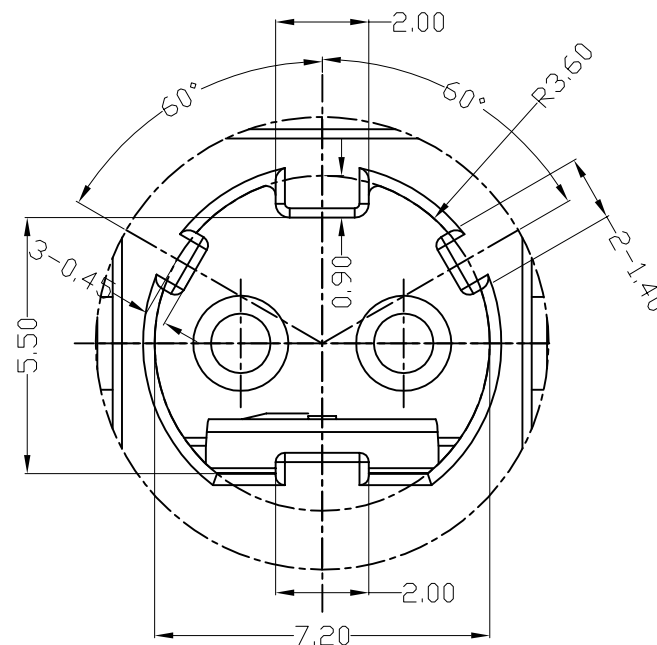


SCHEMATIC



BRONZE, Ni

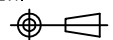
PBT,94V-0 (WHITE)



E	TERMINAL	2	BRASS	SILVER
D	PIN	2	BRASS	NICKEL
C	SPRING TERMINAL	1	STAINLESS STEEL	SILVER
B	COVER	1	PBT (BLACK)	
A	HOUSING	1	PBT (BLACK)	
SING	DESCRIPTION	QT'Y	MATERIAL	PLATING


星赫科技有限公司
SHINE HEH TECHNOLOGY CO., LTD.

DRAWN BY:	REVIEWED BY:	CHECKED BY:	APPROVED BY:
<i>Tomas</i>	<i>Steven</i>	<i>Delta</i>	<i>Delta</i>

TOLERANCE CHART:	VIEW:	UNIT:	SCALE:
x. ±0.3mm		mm	4:1
x.x ±0.2mm	PART NAME:	DATE:	REV:
x.xx ±0.1mm	DC JACK	2015/11/20	B
x.xxx ±0.05mm	MODEL NO.:	DRAWING NO.:	
	DC-214-GP		