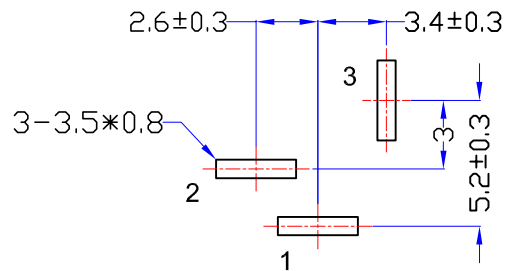
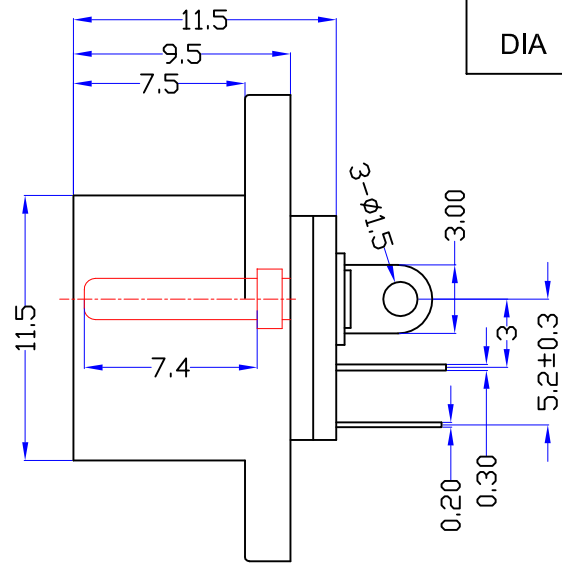
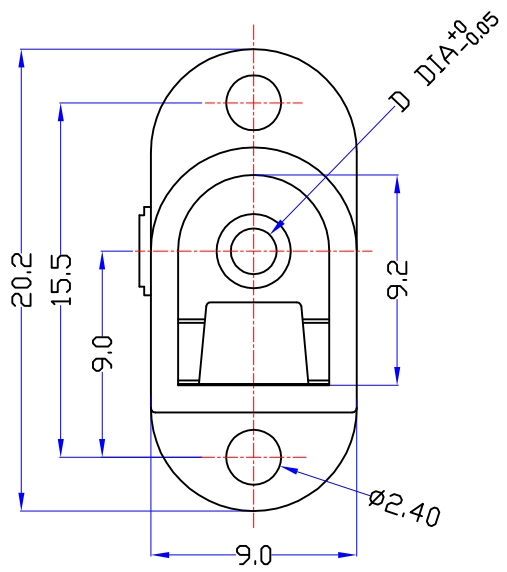
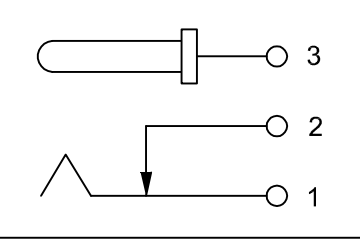
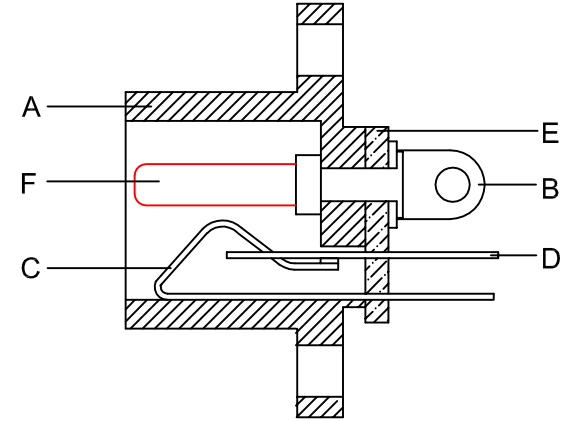
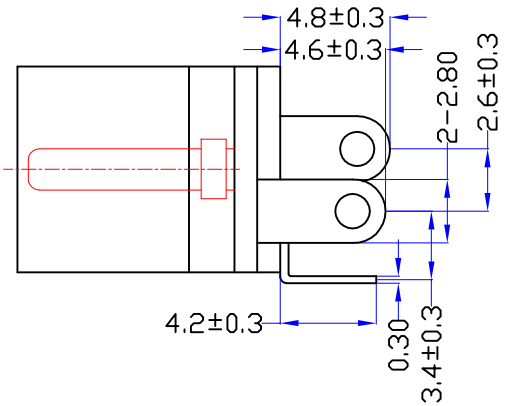


Part N.o	DC-342P-07-GP	DC-342P-08-GP	DC-342P-09-GP
DIA	Ø2.0	Ø2.35	Ø2.5

# SCHEMATIC



HOLE LAYOUT (BOTTOM VIEW)



F	PIN	1	BRASS	NICKEL
E	BASE	1	PHENOLIC RESIN (BLACK)	
D	TERMINAL	1	BRASS	SILVER
C	SHRAPNEL	1	SUS	SILVER
B	PIN TERMINAL	1	BRASS	SILVER
A	HOUSING	1	PA9T (BLACK)	
SING	DESCRIPTION	QT'Y	MATERIAL	PLATING

**星赫科技有限公司**  
SHINE HEH TECHNOLOGY CO., LTD.

DRAWN BY: J.W-Liang    REVIEWED BY: X.H-Liu    CHECKED BY: Sunny    APPROVED BY: Joe

TOLERANCE CHART:	VIEW:	UNIT:	SCALE:
x. ±0.3mm		mm	3:1
x.x ±0.2mm	PART NAME:	DATE:	REV:
x.xx ±0.1mm	DC JACK	JUN.03.2015	A
x.xxx ±0.05mm	MODEL NO.:	DRAWING NO.:	
<b>DC-342P-XX-GP</b>			