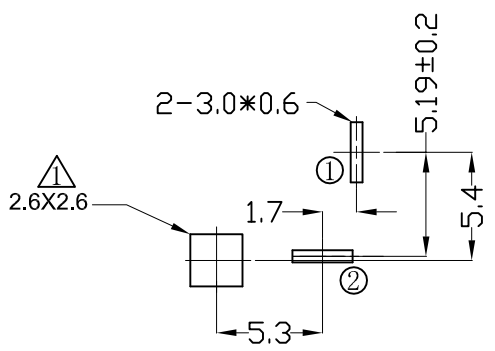
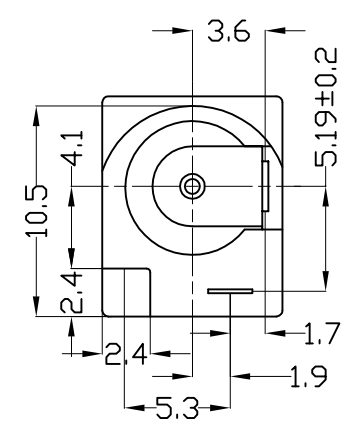
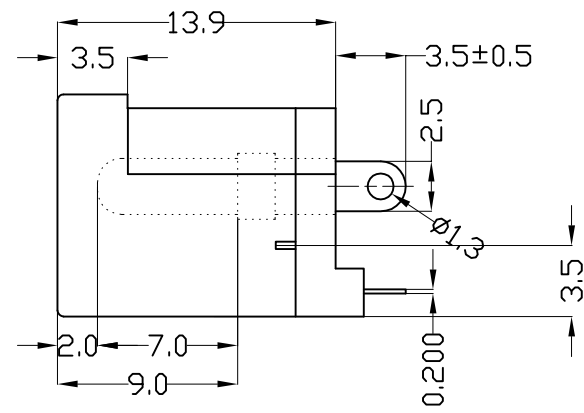
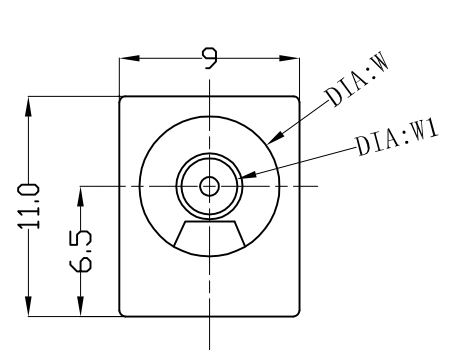


DIA:W	DIA:W1	COVER COLOR	ERP No	SIL:ERP No
∅6.2±0.1	∅2.00±0.02	PINK (粉红色)	DC-525-01-GP	2010400007034
∅7.0±0.1	∅2.40±0.02	ORANGE (黄色)	DC-525-02-GP	2010400007036
∅7.0±0.1	∅2.90±0.02	BLUE (蓝色)	DC-525-03-GP	2010400007040
∅5.6±0.1	∅1.60±0.02	GRAY (灰色)	DC-525-04-GP	2010400007035
∅5.6±0.1	∅2.40±0.02	GREEN (绿色)	DC-525-05-GP	2010400007041
∅6.2±0.1	∅2.50±0.02	BLACK (黑色)	DC-525-06-GP	

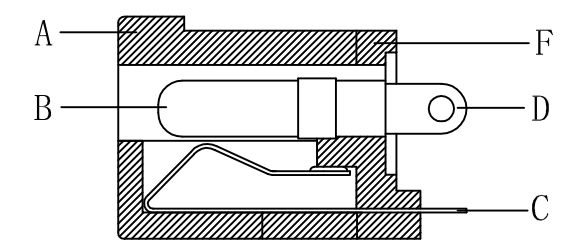
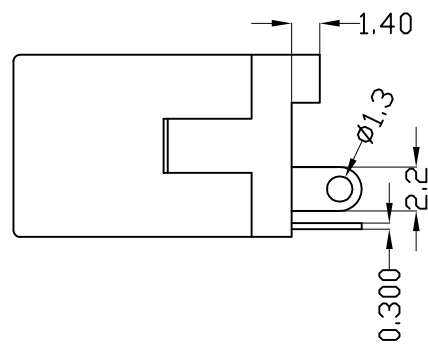


备注: 1. 插拔力: 0.4-3kgf.  
 2. 额定值: DC 12V 1.0A  
 3. 接触电阻: 50毫欧以下.  
 4. 绝缘电阻: 100兆毫以上.  
 5. 寿命无负荷1分钟内以10-20次的速度进行3000次插入, 拔出.

### SCHEMATIC



**P.C.B LAYOUT  
(TOP VIEW)**



Notes:

- ① 1. 追加定位孔, 版本由A版变为B版, 修改日期: 2017.06.15.
- ② 2. 增加一款料号: DC-526-06-GP, 版本由B版变为C版修改日期: 2017.08.03.

SING	DESCRIPTION	QT'Y	MATERIAL	PLATING
F	COVER	1	PBT	
D	TERMINAL 2	1	BRASS	SLIVER
C	TERMINAL 1	1	SUS	SLIVER
B	PIN	1	BRASS BAR	NICKEL
A	HOUSING	1	PBT	BLACK

**星赫科技有限公司**  
SHINE HEH TECHNOLOGY CO., LTD.

DRAWN BY:	REVIEWED BY:	CHECKED BY:	APPROVED BY:
J.W-Liang	X.H-Liu	Sunny	Joe

TOLERANCE CHART:	VIEW:	UNIT:	SCALE:
x. ±0.3mm		mm	2.7:1
x.x ±0.2mm	PART NAME:	DATE:	REV:
x.xx ±0.1mm	DC JACK	2011-02-23	C
x.xxx ±0.05mm	MODEL NO.:	DRAWING NO.:	
	DC-525-GP		