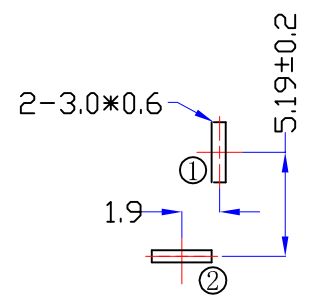
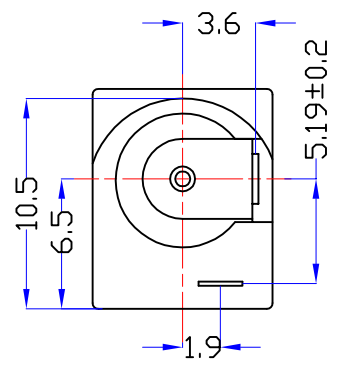
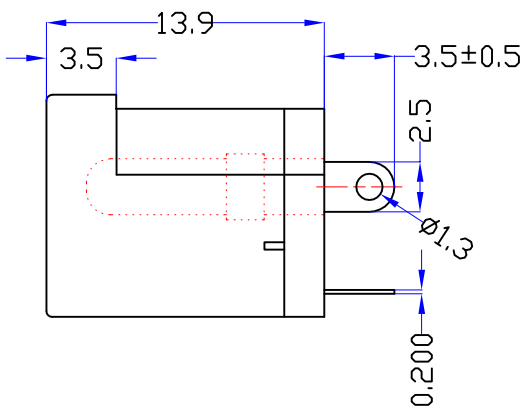
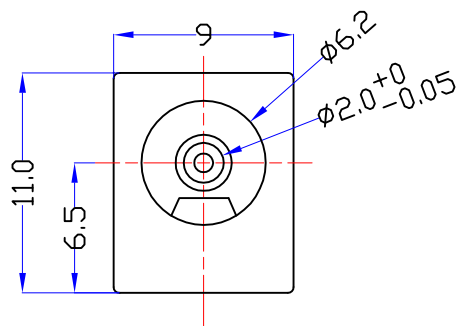
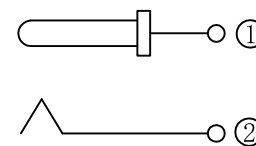
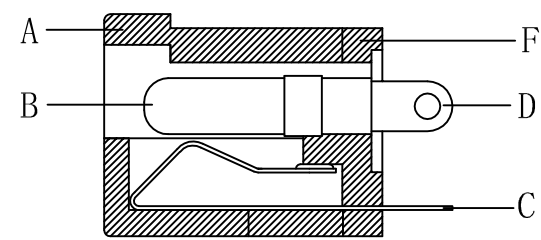
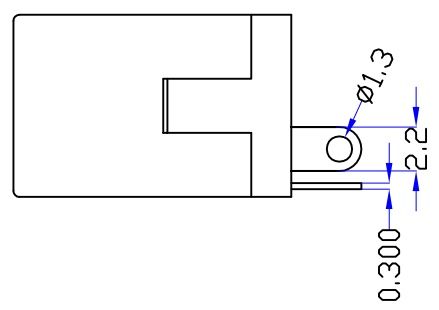



SCHEMATIC



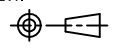
P. C. B LAYOUT
(BACK VIEW)



F	COVER	1	PBT	
D	TERMINAL 2	1	BRASS	SLIVER
C	TERMINAL 1	1	SUS	SLIVER
B	PIN	1	BRASS BAR	NICKEL
A	HOUSING	1	PBT	BLACK
SING	DESCRIPTION	QT'Y	MATERIAL	PLATING


星赫科技有限公司
SHINE HEH TECHNOLOGY CO., LTD.

DRAWN BY: J.W-Liang
 REVIEWED BY: X.H-Liu
 CHECKED BY: Sunny
 APPROVED BY: Joe

TOLERANCE CHART: x. ±0.3mm x.x ±0.2mm x.xx ±0.1mm x.xxx ±0.05mm	VIEW:	UNIT:	SCALE:
		mm	2.7:1
	PART NAME:	DATE:	REV:
	DC JACK	2011-10-31	A
	MODEL NO.:	DRAWING NO.:	
	DC-527-GP		