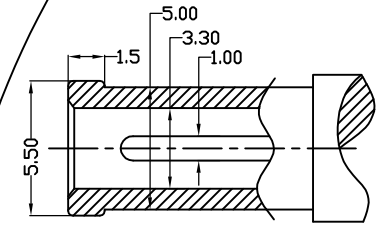
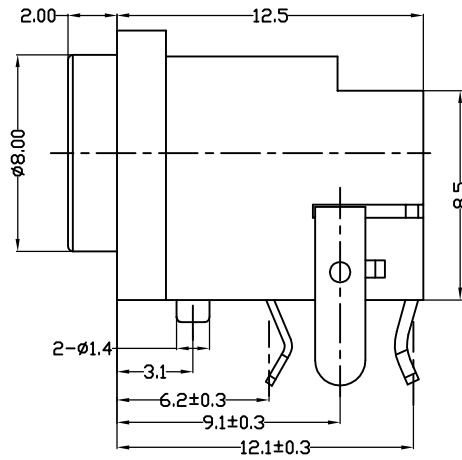
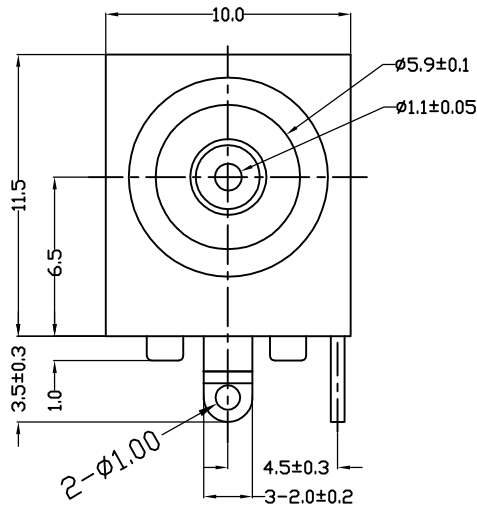
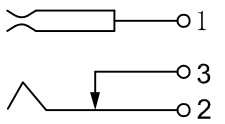
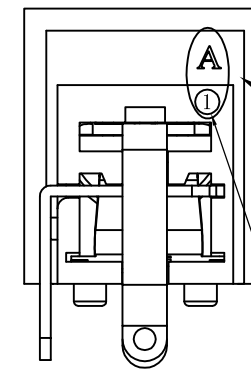
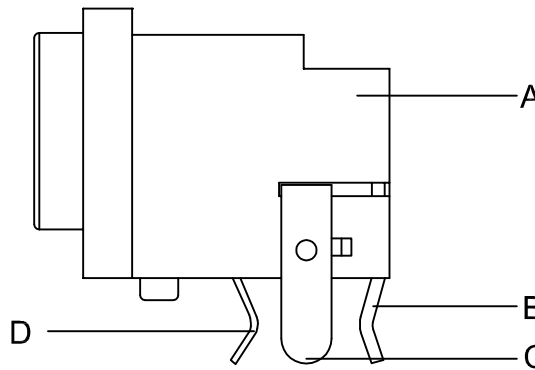
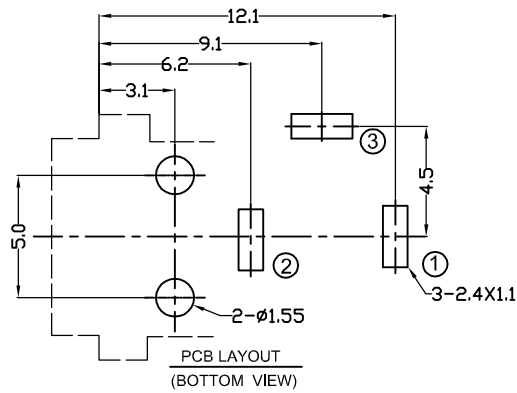


SCHEMATIC



MATE PLUG



此处A(字母)和1(数字),是代表产品材质区分,材质: PBT+G.F

此处“1”的方向不规则。

D	TERMINAL	1	PHOSPHOR BRONZE t=0.2	SILVER
C	TERMINAL	1	BRASS t=0.5	SILVER
B	TERMINAL	1	BRASS t=0.5	SILVER
A	HOUSING	1	PBT+G.F	BLACK
SING	DESCRIPTION	QT'Y	MATERIAL	PLATING



DRAWN BY:	REVIEWED BY:	CHECKED BY:	APPROVED BY:
J.W.Liang	X.H.Liu	Sunny	Delta

TOLERANCE CHART:	VIEW:	UNIT:	SCALE:
x. ±0.3mm		mm	4:1
x.x ±0.2mm	PART NAME:	DATE:	REV:
x.xx ±0.1mm	DC JACK	2016.08.23	A
x.xxx ±0.05mm	MODEL NO.:	DRAWING NO.:	
	DC-535H-20-GP		